

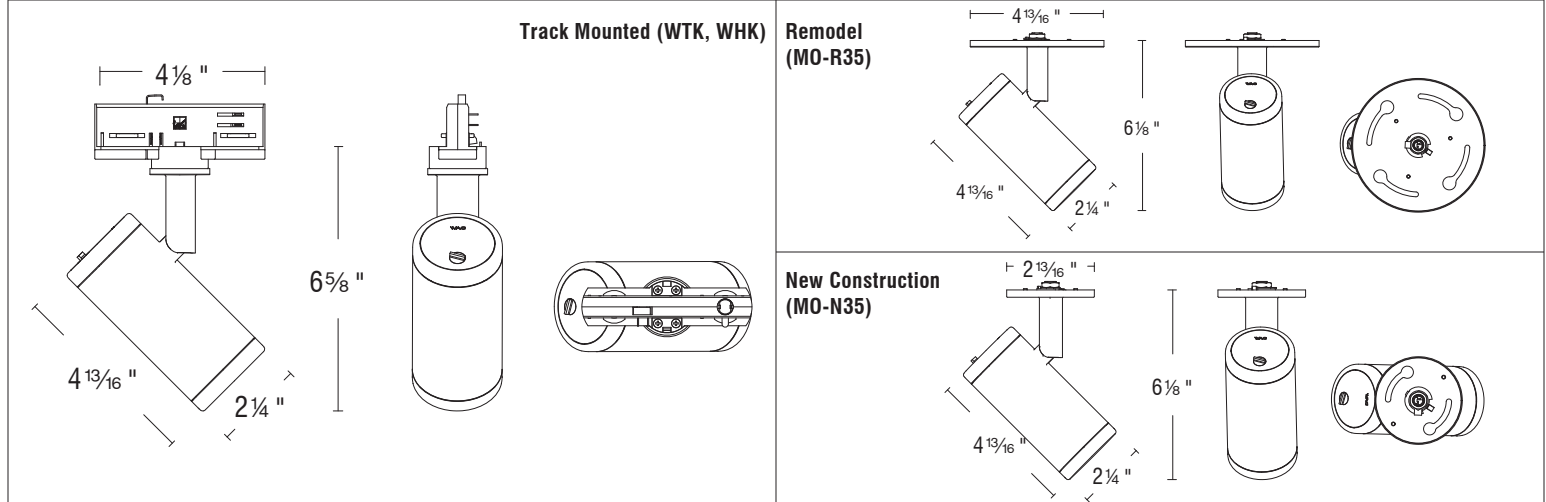
Mere High Power COB

WTK-35 | WHK-35 | MO-N35 | MO-R35

Fixture Type: _____
 Project: _____
 Catalog#: _____
 Location: _____



LINE DRAWING



PRODUCT DESCRIPTION

More flexible, smarter, and more versatile MERE track lighting. MERE offers a wide range of optical configurations, color temperatures, accessories, and even a DIY intelligent control module. The innovative 0-10V and knob dimming design makes on-site system commissioning and individual adjustment more flexible and convenient.

SPECIFICATIONS

Construction:	Injection molded polycarbonate low glare trim
Mounting:	Track mounted (WTK, WHK); ceiling mounted (MO) Ceiling cut out: $\varnothing 4\frac{1}{2}"$ Accommodates 1/2" - 2" ceiling thickness
Light Source:	High output 3-step Mac Adam Ellipse COB Rated life of 50,000 hours at L70
Input:	Universal 120-277V AC, 50/60 Hz
Power:	11W
Dimming:	ELV, TRIAC, and 0-10V: 100 - 1%
Operating Temperature:	-4°F to 104°F (-20°C to 40°C)
Standards:	ETL & cETL
Warranty:	5 year WAC Lighting guaranteed warranty

BEAM ANGLES



FINISHES



Model	Beam	*Lumens Ref Output	*CBCP	Color Temp	CRI
WTK-35 WHK-35 $\varnothing 2.24"$ MO-N35 $\varnothing 57\text{mm}$ MO-R35	S 12° Round Square	945 910	2960 2940	927 - 2700K 930 - 3000K 935 - 3500K 940 - 4000K	90
	N 24° Round Square	960 950	2470 2445		
	M 32° Round Square	815 830	785 780		
	F 45° Round Square	815 830	785 780		

Lumens and CBCP are reference values for fixtures set to 3000K Color Temperature. Refer to Multiplier Table in Performance Data to determine other outputs.

Mere High Power COB

WTK-35 | WHK-35 | MO-N35 | MO-R35

Fixture Type: _____
 Project: _____
 Catalog#: _____
 Location: _____

ORDERING INFORMATION

CONFIGURATION TABLE			
Model & Power	Beam Angle	Color Temperature & CRI	Housing Finish
WTK-35 (120V)	S - Spot 12°	927 - 2700K - 90	BK - BLACK
WHK-35 (277V)	N - Narrow Flood 24°	930 - 3000K - 90	WT - WHITE
MO-N35 (120-277V)	M - Medium Flood 32°	935 - 3500K - 90	
MO-R35 (120-277V)	F - Flood 45°	940 - 4000K - 90	

W_K-35S-_____

Example: WTK-35S-S930WT

MO-_35S-_____

Example: MO-N35S-M930BK

ACCESSORIES	
LENS-35S-WWWT	TL35 WALL - WASHING LENS
LENS-35S-EEWT	TL35 STRECHTED LENS
LENS-35S-SSWT	TL35 SMALL DIFFUSION LENS
LENS-35S-MMWT	TL35 MEDIUM DIFFUSION LENS
LENS-35S-LLWT	TL35 HEAVY DIFFUSION LENS
LENS-35S-SQWT	TL35 SQUARE DIFFUSION LENS
LENS-35S-CSBK	TL35 12D DIFFUSION LENS MODULE BLACK
LENS-35S-CNBK	TL35 24D DIFFUSION LENS MODULE BLACK
LENS-35S-CMBK	TL35 32D DIFFUSION LENS MODULE BLACK
LENS-35S-CWBK	TL35 45D DIFFUSION LENS MODULE BLACK
LENS-35S-SNOOT-B	TL35 CONDENSER BLACK
LENS-35S-SNOOT-W	TL35 CONDENSER WHITE
LENS-35S-HCM	TL35 HONEYCOMB MESH
LENS-35S-BD-BK	TL35 LIGHT SHIELDING PLATE BLACK
LENS-35S-BD-WT	TL35 LIGHT SHIELDING PLATE WHITE
LENS-35S-HSBK	TL35 HISTORICAL SENSE FILTER
LENS-35S-RGBK	TL35 RECOGNITION FILTER
LENS-35S-PFBK	TL35 PREFERENCE FILTER

ORDERING NOTES

- The WTK-35 fixture is 120V and the WHK-35 fixture is 277V. Both fixtures are track mounted.
- The MO-N35 fixture is a ceiling mounted monopoint fixture for New Construction installations. The MO-R35 fixture is a ceiling mounted monopoint fixture for Remodel installations.

Mere
High Power COB

WTK-35 | WHK-35 | MO-N35 | MO-R35

Fixture Type: _____
 Project: _____
 Catalog#: _____
 Location: _____

FEATURES

<p>Optics:</p> <ul style="list-style-type: none"> • Fixture features adjustabilities of 0-365° horizontally and 0-90° vertically • Optical accessories feature toolless installation and removal 	<p>Construction:</p> <ul style="list-style-type: none"> • Die-cast aluminum body
<p>LED:</p> <ul style="list-style-type: none"> • High output COB LED with a 3-step Mac Adam ellipse • Rated operational life of 50,000 hours at L70 (LED maintains 70% of its initial delivered lumens when brand new for 50,000 hours of use.) 	<p>Trim and Reflector:</p> <ul style="list-style-type: none"> • Four beam angles are available: Spot, Narrow Flood, Medium Flood, and Flood
<p>Electrical:</p> <ul style="list-style-type: none"> • Input power is universal 120-277VAC, 50/60 Hz • Available at a 11W power level 	<p>Installation:</p> <ul style="list-style-type: none"> • Suitable for W track systems
<p>Dimming:</p> <ul style="list-style-type: none"> • Electronic low voltage (ELV), TRIAC, and 0-10V dimming available • ELV, TRIAC, and 0-10V dimming is capable of a range of 100 - 1% 	<p>Warranty:</p> <ul style="list-style-type: none"> • WAC Architectural limited warranty up to 5 years • Full warranty found at: wacighting.com/warranty
<p>Notes:</p> <ul style="list-style-type: none"> • The White and Black finishes for the body are electrostatically powder coated 	

Mere High Power COB

WTK-35 | WHK-35 | MO-N35 | MO-R35

Fixture Type: _____
 Project: _____
 Catalog#: _____
 Location: _____

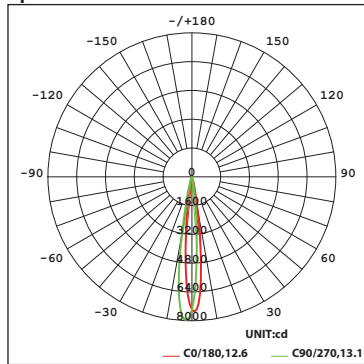
PERFORMANCE DATA

Polar Candela Distribution Charts

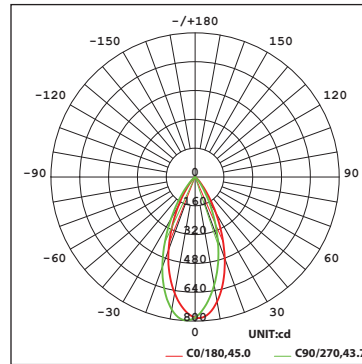
Samples shown with a 11W fixture with a White finished reflector set to 3000K.

ROUND

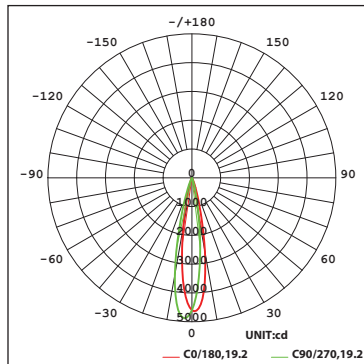
Spot Beam: 12° Beam



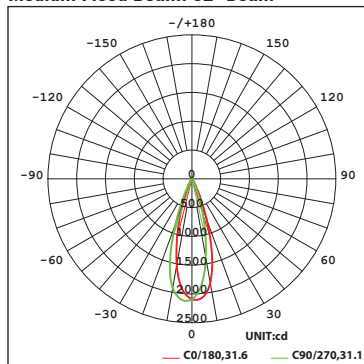
Flood Beam: 48° Beam



Narrow Flood Beam: 24° Beam



Medium Flood Beam: 32° Beam



Mere High Power COB

WTK-35 | WHK-35 | MO-N35 | MO-R35

Fixture Type: _____
 Project: _____
 Catalog#: _____
 Location: _____

PERFORMANCE DATA

Unified Glare Rating (UGR) Table

UGR values shown are calculated for a Round Trim fixture with a Spot Beam (12°) optic at 3000K and 90 CRI. General performance of other beam angles shown below.

ceiling/cavity	0.7	0.7	0.5	0.5	0.3	0.7	0.7	0.5	0.5	0.3	
walls	0.5	0.3	0.5	0.3	0.3	0.5	0.3	0.5	0.3	0.3	
working plane	0.2	0.2	0.2	0.2	0.2	0.2	0.2	0.2	0.2	0.2	
Room dimensions	Viewed crosswise					Viewed endwise					
x = 2H y = 2H	9.7	10.2	9.9	10.4	10.5	11.1	11.7	11.3	11.8	12.0	
3H	9.8	10.3	10.0	10.5	10.7	11.1	11.6	11.3	11.8	12.0	
4H	9.9	10.4	10.1	10.6	10.8	11.1	11.6	11.4	11.8	12.0	
6H	9.9	10.4	10.2	10.6	10.8	11.1	11.6	11.4	11.8	12.0	
8H	9.9	10.4	10.2	10.6	10.9	11.1	11.6	11.4	11.8	12.0	
12H	9.9	10.4	10.2	10.6	10.9	11.1	11.5	11.4	11.8	12.1	
4H	2H	9.5	10.0	9.8	10.2	10.4	11.0	11.5	11.2	11.7	11.9
	3H	9.7	10.2	10.0	10.4	10.7	11.0	11.4	11.3	11.7	11.9
	4H	9.9	10.3	10.2	10.6	10.9	11.0	11.4	11.4	11.7	12.0
	6H	10.0	10.3	10.3	10.6	11.0	11.1	11.4	11.4	11.7	12.1
	8H	10.0	10.3	10.4	10.7	11.0	11.1	11.4	11.4	11.7	12.1
	12H	10.0	10.3	10.4	10.7	11.1	11.1	11.4	11.5	11.8	12.1
8H	4H	9.8	10.2	10.2	10.5	10.9	11.0	11.3	11.3	11.6	12.0
	6H	10.0	10.3	10.4	10.6	11.1	11.0	11.3	11.4	11.7	12.1
	8H	10.1	10.3	10.5	10.7	11.2	11.1	11.3	11.5	11.7	12.2
	12H	10.1	10.3	10.6	10.8	11.3	11.1	11.3	11.6	11.8	12.2
12H	4H	9.8	10.1	10.2	10.5	10.9	10.9	11.2	11.3	11.6	12.0
	6H	9.9	10.2	10.4	10.6	11.1	11.0	11.2	11.4	11.6	12.1
	8H	10.1	10.3	10.5	10.7	11.2	11.0	11.2	11.5	11.7	12.2

Round Fixture	Angle	UGR Range
Spot	12°	≤12
Narrow Flood	24°	≤10
Medium Flood	32°	≤15
Flood	48°	≤23

Lumens and CBCP Multiplier Table

Use the below table to determine lumens and CBCP values for the combinations of power, color temperature, and CRI values.

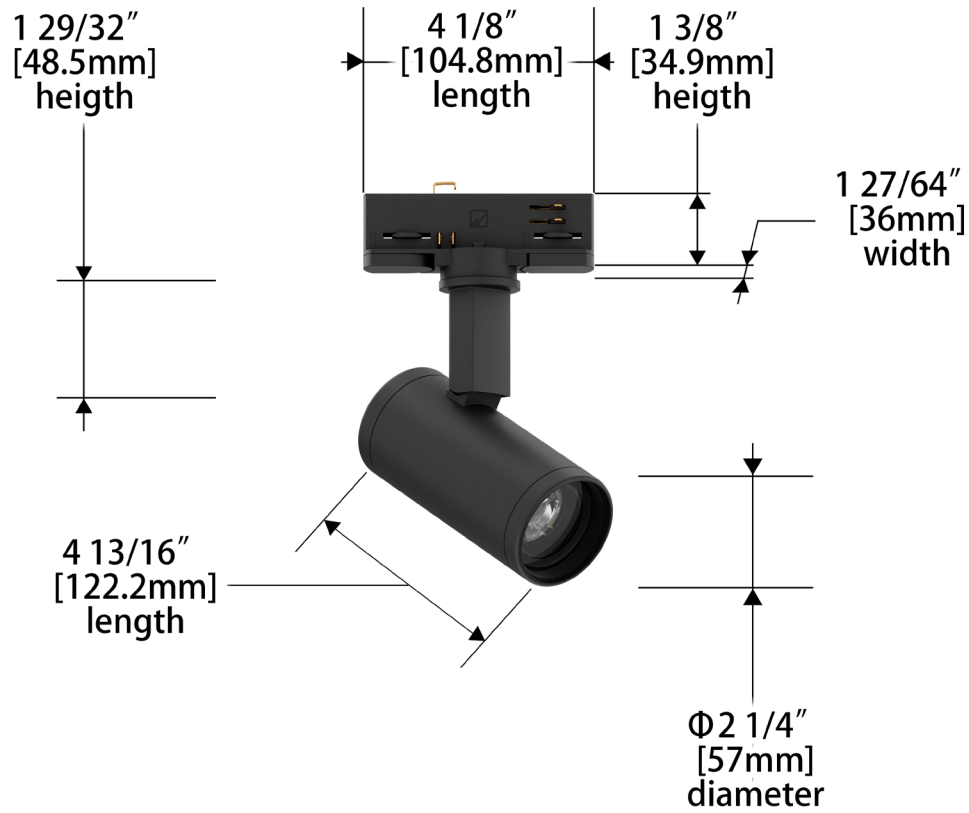
Color Temperature			
2700K	3000K	3500K	4000K
0.93	1.00	1.07	1.14

Mere High Power COB

WTK-35 | WHK-35 | MO-N35 | MO-R35

Fixture Type: _____
Project: _____
Catalog#: _____
Location: _____

DIMENSIONAL DIAGRAMS



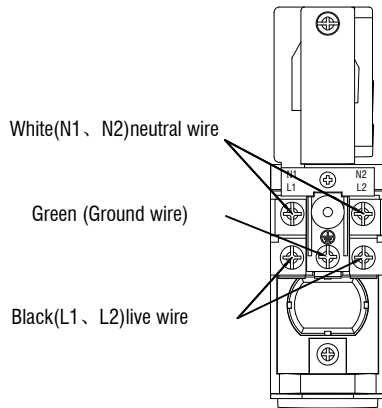
Mere High Power COB

WTK-35 | WHK-35 | MO-N35 | MO-R35

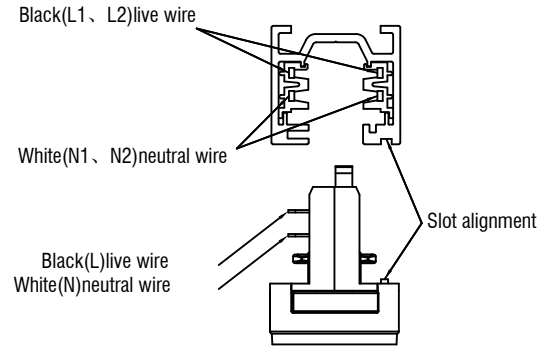
Fixture Type: _____
 Project: _____
 Catalog#: _____
 Location: _____

WIRING DIAGRAM

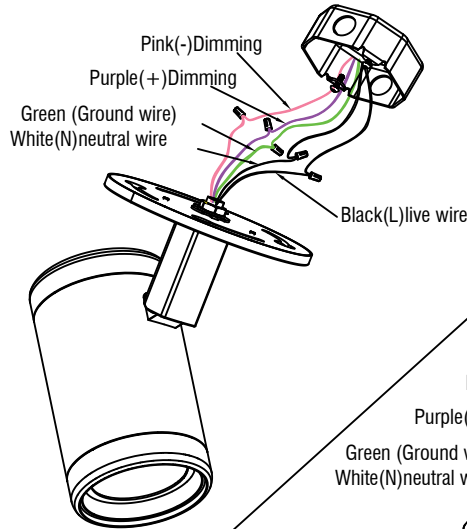
Schematic diagram of track inlet power connection.



Reference diagram for track and track connector circuit.



REMODEL



NEW CONSTRUCTION

