

## Falcon High Power COB

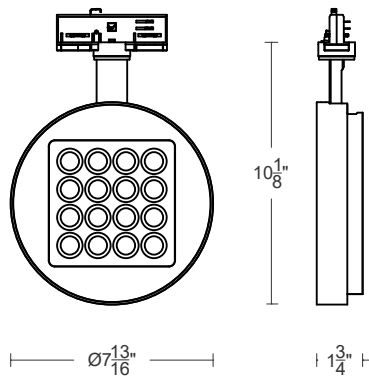
WTK-73S | WHK-73S | MO-N73S | MO-R73S

Fixture Type: \_\_\_\_\_  
 Project: \_\_\_\_\_  
 Catalog#: \_\_\_\_\_  
 Location: \_\_\_\_\_

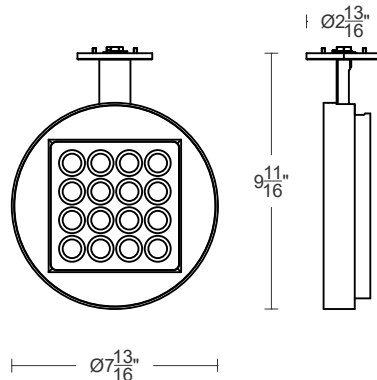


### LINE DRAWING

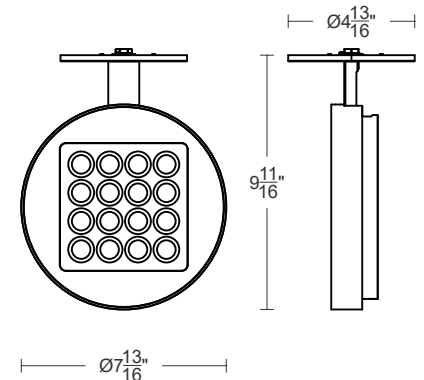
#### Track (WTK-73S, WHK-73S)



#### New Construction (MO-N73S)



#### Remodel (MO-R73S)



### PRODUCT DESCRIPTION

Museum-grade track luminaire engineered for precise beam control and glare management. Designed for galleries and curated environments.

### SPECIFICATIONS

<b>Construction:</b>	Injection molded polycarbonate low glare trim
<b>Mounting:</b>	Track mounted (WTK, WHK); ceiling mounted (MO) Ceiling cut out: $\varnothing$ 4 1/2" $\circ$ Accommodates 1/2" - 2" ceiling thickness
<b>Light Source:</b>	High output 3-step Mac Adam Ellipse COB Rated life of 50,000 hours at L70
<b>Input:</b>	120 VAC (WTK), 277 VAC (WHK), 120-277 VAC (MO)
<b>Power:</b>	48W
<b>Dimming:</b>	ELV, TRIAC, BLE, and 0-10V: 100 - 1%
<b>Operating Temperature:</b>	-4°F to 104°F (-20°C to 40°C)
<b>Standards:</b>	ETL & cETL
<b>Warranty:</b>	5 year WAC Lighting guaranteed warranty

### BEAM ANGLES



### FINISHES



Model	Beam	Lumens Ref Output*	CBCP	Efficacy (lm/W)
WTK-73S WHK-73S $\varnothing$ 7.8125" MO-N73S $\varnothing$ 198mm MO-R73S	V 11°	1,984	39,781	42
	S 15°	1,916	23,405	40
	N 24°	2,895	15,783	61
	M 36°	2,811	8,625	59
	F 40°	2,730	7,774	57
	A Asym	1,713	8,325	36
	G 18° X 52°	2,841	3,440	60
	E 13° X 45°	1,753	7,694	37

\*Lumens and CBCP are reference values for fixtures set to 3000K Color Temperature. Refer to Multiplier Table in Performance Data to determine other outputs.



## Falcon High Power COB

WTK-73S | WHK-73S | MO-N73S | MO-R73S

Fixture Type: \_\_\_\_\_  
 Project: \_\_\_\_\_  
 Catalog#: \_\_\_\_\_  
 Location: \_\_\_\_\_

### ORDERING INFORMATION

CONFIGURATION TABLE			
Model & Power	Beam Angle	Color Temperature & CRI	Housing Finish
<b>WTK-73S</b> (120V)	<b>V</b> - Very Narrow 11°	<b>927</b> - 2700K	<b>BK</b> - BLACK
<b>WHK-73S</b> (277V)	<b>S</b> - Spot 15°	<b>930</b> - 3000K	<b>WT</b> - WHITE
<b>MO-N73S</b> (120-277V)	<b>N</b> - Narrow Flood 24°	<b>935</b> - 3500K	
<b>MO-R73S</b> (120-277V)	<b>M</b> - Medium Flood 36°	<b>940</b> - 4000K	
	<b>F</b> - Flood 40°		
	<b>A</b> - Wall Wash/Asymmetric		
	<b>G</b> - Grazer 18° X 52°		
	<b>E</b> - Elongating 13° X 45°		

**W\_K-73S-**\_\_\_\_\_

Example: WTK-73S-S930WT

**MO-\_73S-**\_\_\_\_\_

Example: MO-N73S-M930BK

ACCESSORIES	
LENS-38S-WWWT	TL38 WALL - WASHING LENS
LENS-38S-EEWT	TL38 STRECHTED LENS
LENS-38S-SSWT	TL38 SMALL DIFFUSION LENS
LENS-38S-MMWT	TL38 MEDIUM DIFFUSION LENS
LENS-38S-LLWT	TL38 HEAVY DIFFUSION LENS
LENS-38S-SQWT	TL38 SQUARE DIFFUSION LENS
LENS-38S-CSBK	TL38 12D DIFFUSION LENS MODULE BLACK
LENS-38S-CNBK	TL38 24D DIFFUSION LENS MODULE BLACK
LENS-38S-CMBK	TL38 36D DIFFUSION LENS MODULE BLACK
LENS-38S-CWBK	TL38 50D DIFFUSION LENS MODULE BLACK
LENS-38S-SNOOT-B	TL38 CONDENSER BLACK
LENS-38S-SNOOT-W	TL38 CONDENSER WHITE
LENS-38S-HCM	TL38 HONEYCOMB MESH
LENS-38S-BD-BK	TL38 LIGHT SHIELDING PLATE BLACK
LENS-38S-BD-WT	TL38 LIGHT SHIELDING PLATE WHITE
LENS-38S-HSBK	TL38 HISTORICAL SENSE FILTER
LENS-38S-RGBK	TL38 RECOGNITION FILTER
LENS-38S-PFBK	TL38 PREFERENCE FILTER

### ORDERING NOTES

- The WTK-73S fixture is 120V and the WHK-73S fixture is 277V. Both fixtures are track mounted.
- The MO-N73S fixture is a ceiling mounted monopoint fixture for New Construction installations. The MO-R73S fixture is a ceiling mounted monopoint fixture for Remodel installations.

wacarchitectural.com | WAC Architectural, a WAC Group brand.

WAC Group Headquarters  
 44 Harbor Park Drive  
 Port Washington, NY 11050

WAC Architectural  
 Phone (800) 526.2588  
 Fax (800) 526.2585

APR 2026 | P. 2 of 7

WAC GROUP

Falcon  
High Power COB

WTK-73S | WHK-73S | MO-N73S | MO-R73S

Fixture Type: \_\_\_\_\_  
Project: \_\_\_\_\_  
Catalog#: \_\_\_\_\_  
Location: \_\_\_\_\_

**FEATURES**

<p><b>Optics:</b></p> <ul style="list-style-type: none"> <li>• Fixture features robust anti-glare capabilities with a SUBROSA optical system that creates a 30° shielding angle</li> </ul>	<p><b>Construction:</b></p> <ul style="list-style-type: none"> <li>• Die-cast aluminum body</li> </ul>
<p><b>LED:</b></p> <ul style="list-style-type: none"> <li>• High output COB LED with a 3-step Mac Adam ellipse</li> <li>• Rated operational life of 50,000 hours at L70 (LED maintains 70% of its initial delivered lumens when brand new for 50,000 hours of use.)</li> </ul>	<p><b>Trim and Reflector:</b></p> <ul style="list-style-type: none"> <li>• Eight beam angles are available: Very Narrow, Spot, Narrow Flood, Medium Flood, Flood, Wall Wash, an 18° x 52° Wall Grazer, and a 13° x 45° Elongating beam</li> </ul>
<p><b>Electrical:</b></p> <ul style="list-style-type: none"> <li>• Input power is universal 120-277VAC, 50/60 Hz</li> <li>• Available at a 48W power level</li> </ul>	<p><b>Installation:</b></p> <ul style="list-style-type: none"> <li>• Suitable for W track systems</li> </ul>
<p><b>Dimming:</b></p> <ul style="list-style-type: none"> <li>• Electronic low voltage (ELV), TRIAC, and BLE dimming available</li> </ul>	<p><b>Warranty:</b></p> <ul style="list-style-type: none"> <li>• WAC Architectural limited warranty up to 5 years</li> <li>• Full warranty found at: <a href="http://wacighting.com/warranty">wacighting.com/warranty</a></li> </ul>
<p><b>Notes:</b></p> <ul style="list-style-type: none"> <li>• The White and Black finishes for the body are electrostatically powder coated</li> </ul>	

## Falcon High Power COB

WTK-73S | WHK-73S | MO-N73S | MO-R73S

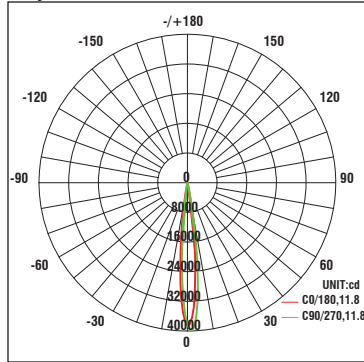
Fixture Type: \_\_\_\_\_  
 Project: \_\_\_\_\_  
 Catalog#: \_\_\_\_\_  
 Location: \_\_\_\_\_

### PERFORMANCE DATA

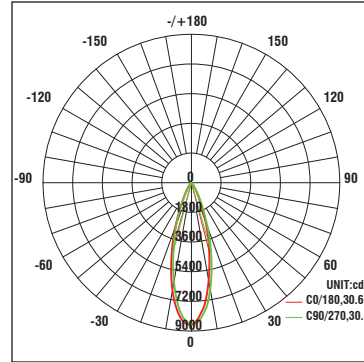
#### Polar Candela Distribution Charts

Samples shown with a fixture set to 3000K.

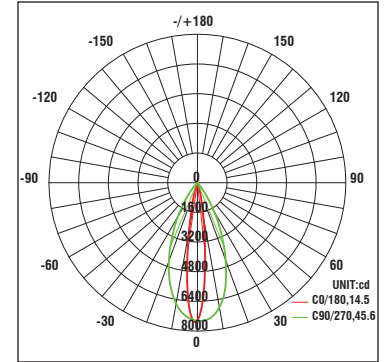
**Very Narrow Beam: 11° Beam**



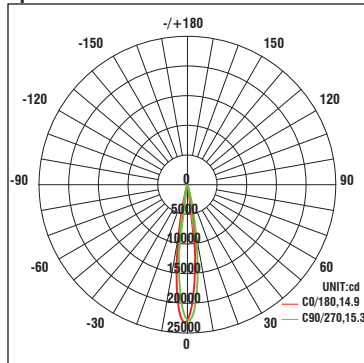
**Medium Flood Beam: 36° Beam**



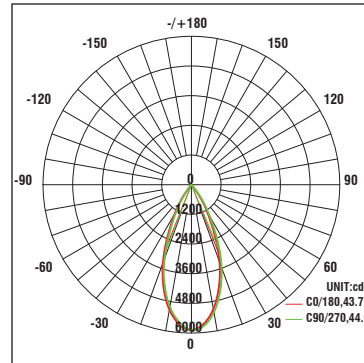
**Grazer Beam: 18° X 52° Beam**



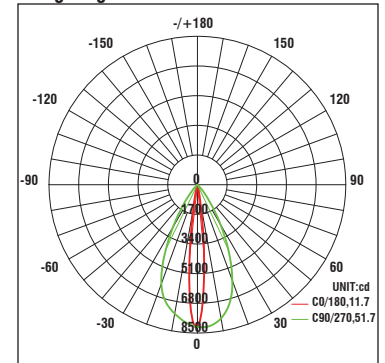
**Spot Beam: 15° Beam**



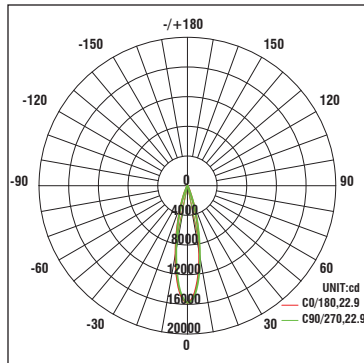
**Flood Beam: 40° Beam**



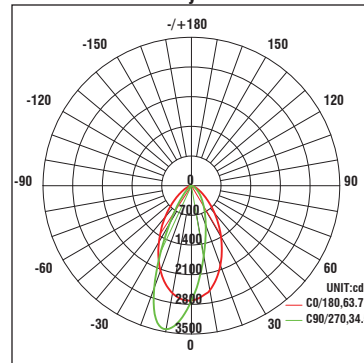
**Elongating Beam: 13° X 45° Beam**



**Narrow Flood Beam: 24° Beam**



**Wall Wash Beam: Asymmetric**



# Falcon

## High Power COB

WTK-73S | WHK-73S | MO-N73S | MO-R73S

Fixture Type: \_\_\_\_\_  
 Project: \_\_\_\_\_  
 Catalog#: \_\_\_\_\_  
 Location: \_\_\_\_\_

### PERFORMANCE DATA

#### Unified Glare Rating (UGR) Table

UGR values shown are calculated for a fixture at 3000K and 90 CRI.

Round Fixture	Angle	UGR Range
Very Narrow	11°	≤2
Spot	15°	≤3
Narrow Flood	24°	≤3
Medium Flood	36°	≤14
Flood	40°	≤17
Wall Wash	Asymmetric	≤28
Grazer	18° x 52°	≤20
Elongating	13° x 45°	≤21

#### Lumens and CBCP Multiplier Table

Use the below table to determine lumens and CBCP values for the combinations of power, color temperature, and CRI values.

Color Temperature			
2700K	3000K	3500K	4000K
0.93	1.00	1.04	1.04

# Falcon

## High Power COB

WTK-73S | WHK-73S | MO-N73S | MO-R73S

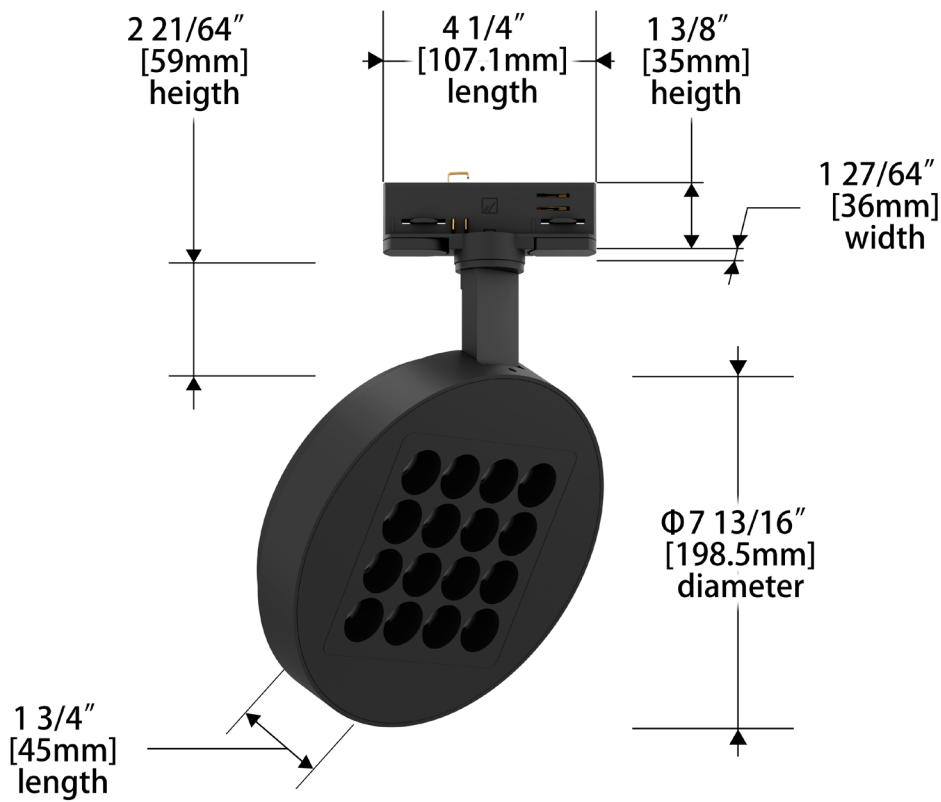
Fixture Type: \_\_\_\_\_

Project: \_\_\_\_\_

Catalog#: \_\_\_\_\_

Location: \_\_\_\_\_

### DIMENSIONAL DIAGRAMS



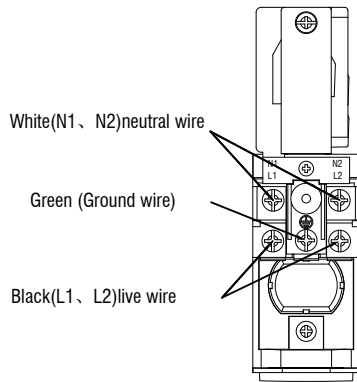
Falcon  
High Power COB

WTK-73S | WHK-73S | MO-N73S | MO-R73S

Fixture Type: \_\_\_\_\_  
 Project: \_\_\_\_\_  
 Catalog#: \_\_\_\_\_  
 Location: \_\_\_\_\_

**WIRING DIAGRAM**

Schematic diagram of track inlet power connection.



Reference diagram for track and track connector circuit.

