

PANTHER ADJUSTABLE WASH - MODDEL: AEP8MI

Spot Luminaires

WAC ARCHITECTURAL

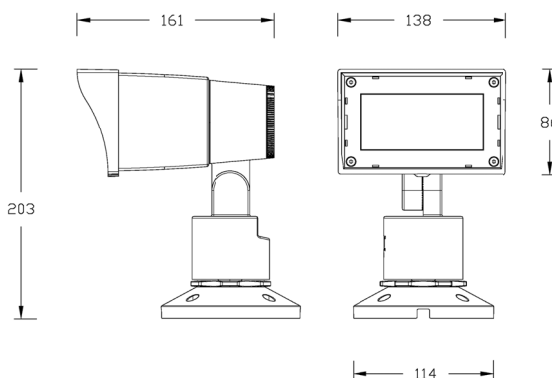
PROJECT:

TYPE:

Product Image



Line Drawing



Product Description

PANTHER ADJUSTBLE WASH floodlight is a professional LED floodlight designed by WAC for high-end outdoor landscape lighting places. It has the perfect and simple appearance of WAC design, utilizing effective heat dissipation to extend the lifespan of LED lamps. The low-key contour design and high-performance optical performance highlight the environment more, with beam angle adjustment and brightness adjustment functions. The installation structure can also be precisely adjusted vertically and horizontally for rotation, allowing individual lamps to adapt to different application scenarios. The direction of light can be changed, combined with corresponding accessories, to make the application of light spots more diverse.

Product Features

- Body Material: Aluminum alloy die-casting
- Optical System: Lens
- Finish: Static electricity powder coating
- Adjustable Angle: Vertical+90°/-30°, horizontal 0-360°
- Accessories: Ground insertion, Vertical light shield
- Certification: CCC
- IP Rating: IP65
- Insulation Level: Class I
- Operating Temperature: -20°C~50°C

Product Specifications

- LED Type: SMD
- LED Power: 21W (Max)
- Source Lm: 3000K 23 10lm
- LED Lifetime: >50000h-L70 /B10-Ta25°C(LM-80/TM-21)
- CCT/CRI: 2700K, 3000K, 4000K, Ra80
- SDCM: 3 SDCM
- Input: 220V AC/50Hz
- Dimming: On-off
- Net Weight: 2Kg without packing

Order Model

Model	Power (W)	Max Lumens (lm)3000K	Control Systems	Beam	CCT	Finish
AEEP8MI-25	25(Max)	1697	EL ON-OFF 220V/AC Power Supply	F Adjustable Beam Angle	27 2700K	BK Black BZ Bronze
					30 3000K	
					40 4000K	

Example: EP8MI-25EL-F27BK2

WAC Lighting
www.wacighting.com (US)
www.wacighting.net (International)

Headquarters
44 Harbor Park Drive • Port Washington, NY
Phone (516) 515.5000 • Fax (516) 515.5050

WAC GROUP
TECHNOLOGY ILLUMINATED

PANTHER ADJUSTABLE WASH - MO

Spot Luminaires


DDEL: AEP8MI

WAC ARCHITECTURAL

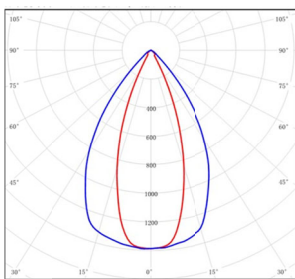
PROJECT:

TYPE:

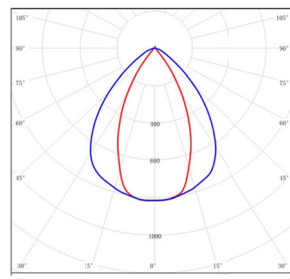
Accessory

ITEM	Abbreviate	PIC	Code
Stainless Steel plate with Spike	SPK		AEP1NI-SPK-BK

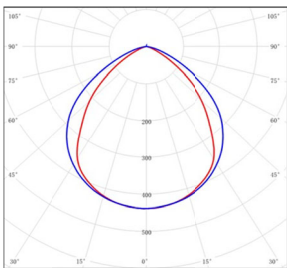
LIGHT DISTRIBUTION@3000K LUMINAIRE DATA



MODEL:	AEP8MI-25EL-F27BK
BEAM ANGLE:	NEMA 4X3
POWER:	24W
LUMENS:	522 lm
CBCP:	/
EFFICACY:	21.8 lm /W



MODEL:	AEP8MI-25EL-F27BK
BEAM ANGLE:	NEMA 5X4
POWER:	24W
LUMENS:	906 lm
CBCP:	/
EFFICACY:	37.7 lm /W



MODEL:	AEP8MI-25EL-F27BK
BEAM ANGLE:	NEMA 6X5
POWER:	24W
LUMENS:	1697 lm
CBCP:	/
EFFICACY:	70.7 lm /W