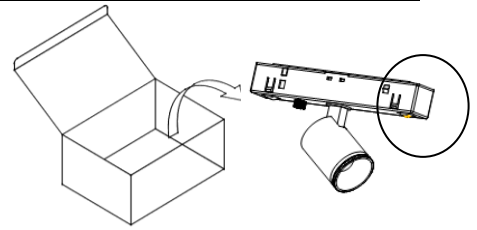


Installation Precautions:

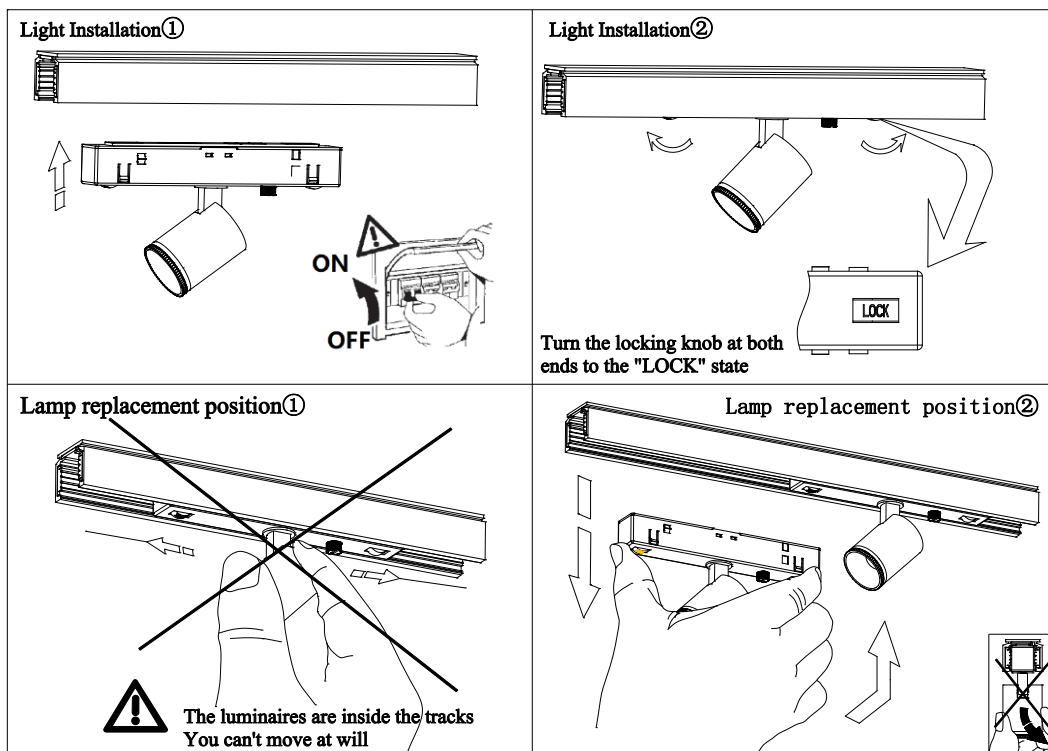
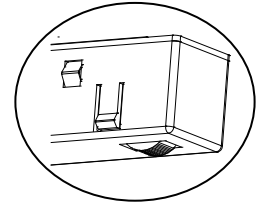
1. Please read through the Instructions before installation.
2. The product should be installed by a professional electrician.
3. Make sure the power supply is cut off before installation and maintenance, to avoid the risk of electric shock.
4. Suitable for indoor installation (not for use in wet environments)
5. It cannot be directly connected to the mains 220V, and the power supply of the lamp is 24VDC.
6. Compatible with WAC AMT1M/ AMT2M/ AMT3M series tracks.
7. Please keep this Instruction properly for future reference.
8. The LED source in the light should be replaced by the manufacturer or its service agent or similarly qualified personnel.

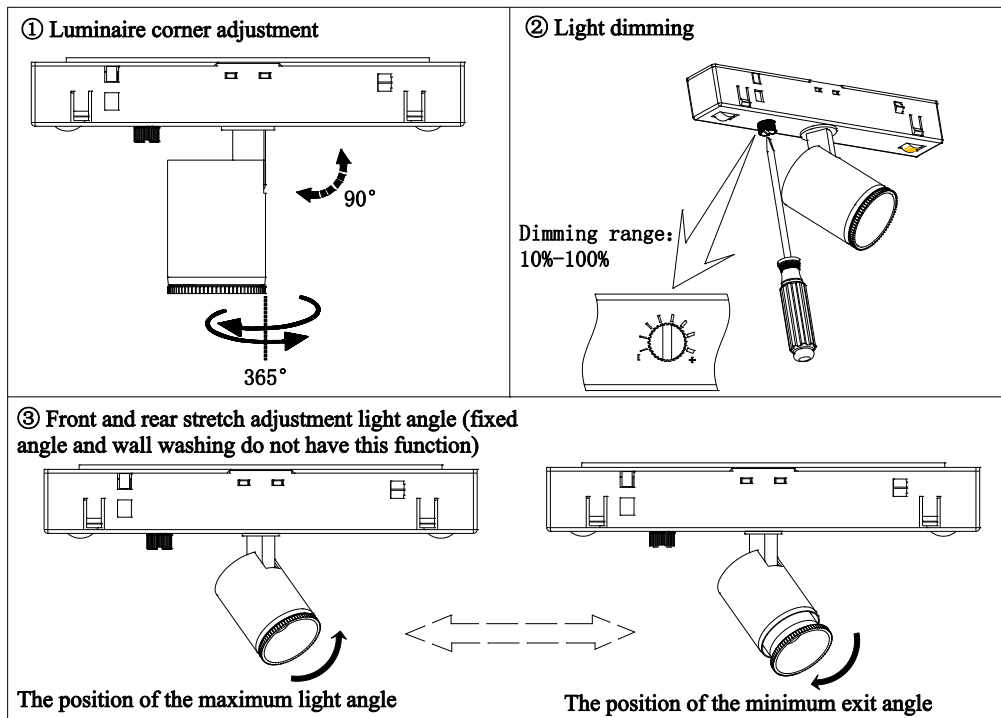


Light Installation:

1. Before assembly, ensure that the locking knobs at both ends of the AD box are in the "UNLOCK" shape state, as shown in the figure on the right;
2. Installation and removal of luminaires.

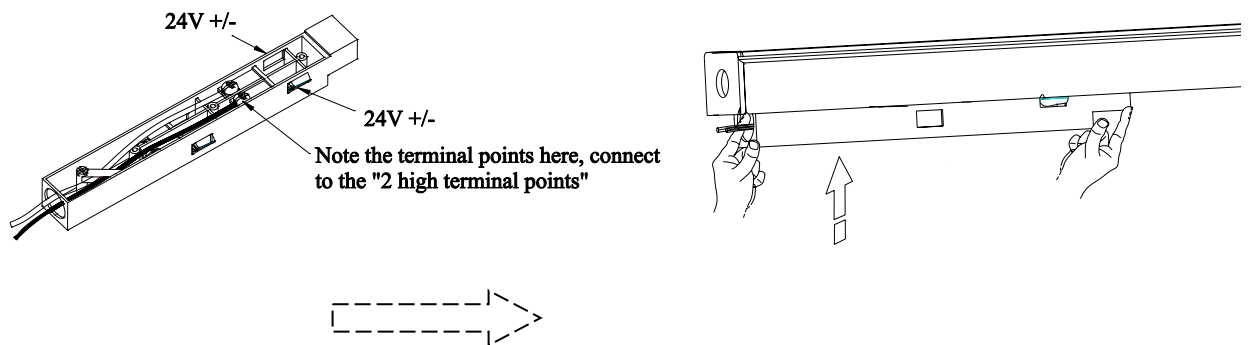
The knob is in the "UNLOCK" state when it is striped





MLE inlet termination wiring:

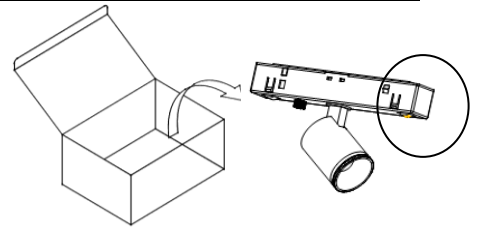
1. The internal drive of the lamp has been protected by the positive and negative electrodes against reverse circuit protection, and there is no need to distinguish the positive and negative poles when wiring the power incoming terminal



After wiring the incoming termination
Re-embedded in the track

Installation Precautions:

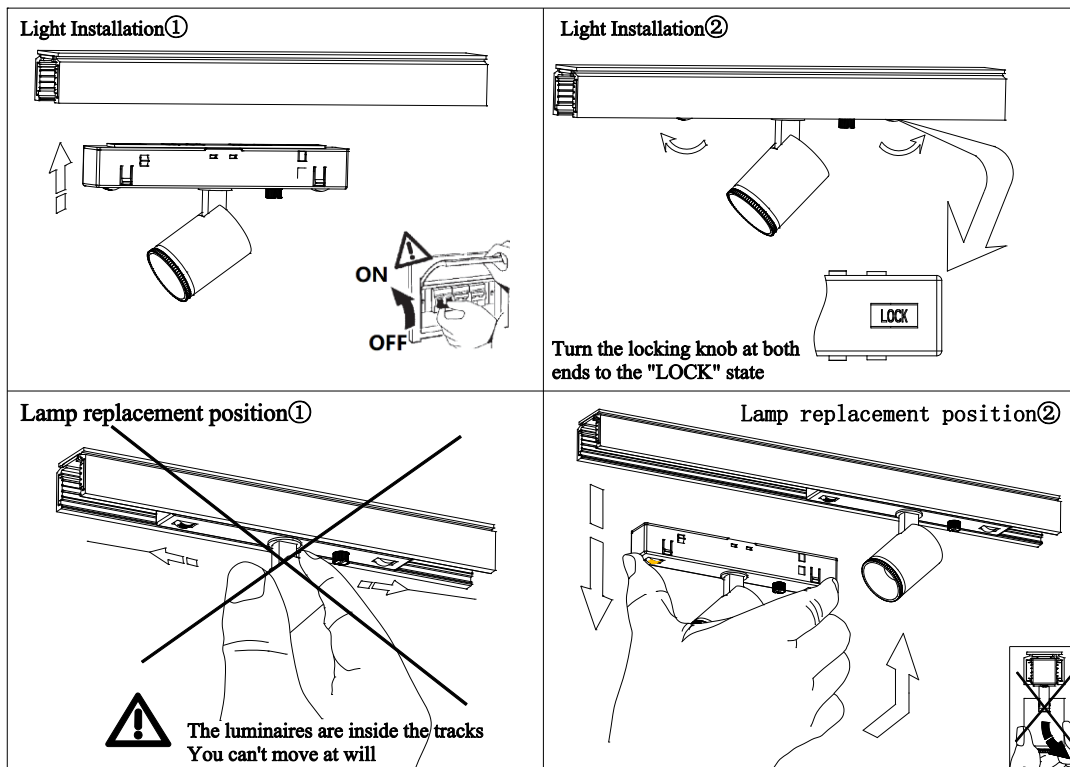
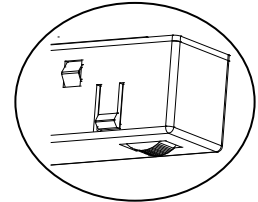
1. Please read through the Instructions before installation.
2. The product should be installed by a professional electrician.
3. Make sure the power supply is cut off before installation and maintenance, to avoid the risk of electric shock.
4. Suitable for indoor installation (not for use in wet environments)
5. It cannot be directly connected to the mains 220V, and the power supply of the lamp is 24VDC.
6. Compatible with WAC AMT1M/ AMT2M/ AMT3M series tracks.
7. Please keep this Instruction properly for future reference.
8. The LED source in the light should be replaced by the manufacturer or its service agent or similarly qualified personnel.

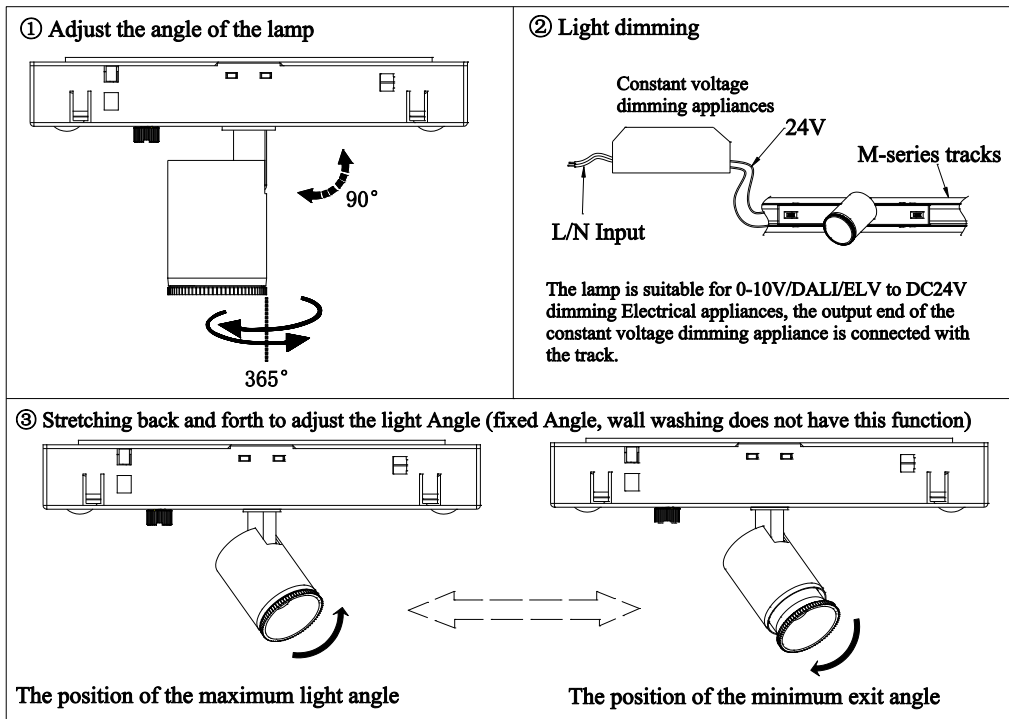


Light Installation:

1. Before assembly, ensure that the locking knobs at both ends of the AD box are in the "UNLOCK" shape state, as shown in the figure on the right;
2. Installation and removal of luminaires.

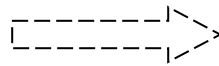
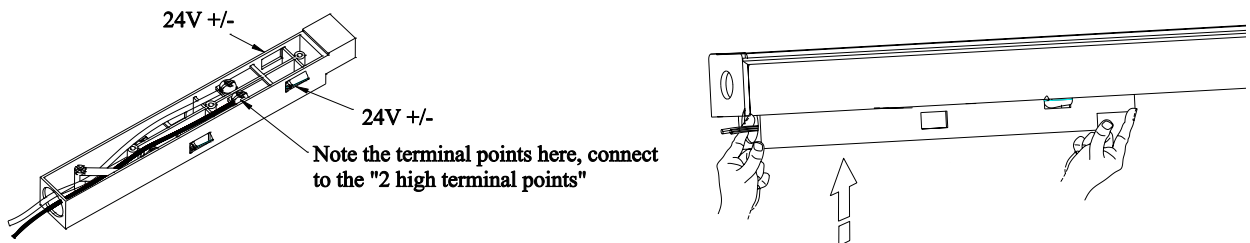
The knob is in the "UNLOCK" state when it is striped





MLE inlet termination wiring:

1. The internal drive of the lamp has been protected by the positive and negative electrodes against reverse circuit protection, and there is no need to distinguish the positive and negative poles when wiring the power incoming terminal.



After wiring the incoming termination
Re-embedded in the track