

# LIGNE PRO- MODEL: ALWAR5-LD8

Linear Luminaires

WAC ARCHITECTURAL

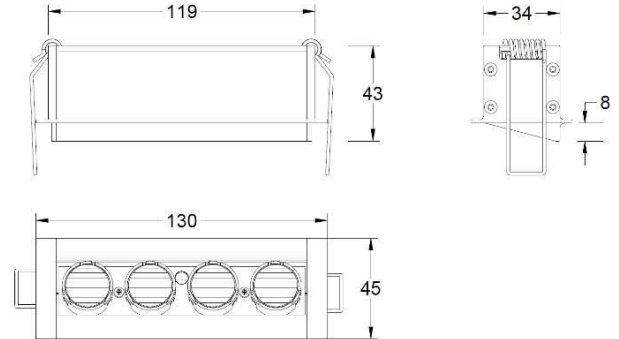
PROJECT:

TYPE:

## Product Image



## Line Drawing



## Product Description

The embedded linear wall washing lamp uses asymmetric light distribution to illuminate the wall evenly. There are 3 lengths and power, black and white color options, suitable for commercial public areas and display environment of the background wall lighting.

## Product Features

- Body Material: Aluminum alloy extrusion lamp body
- Optical System: Lens
- Finish: Electrostatic Powder coating
- Projection Direction: /
- Accessories/Brackets: /
- Certification: CCC
- IP Rating: IP20
- Insulation Level: Class II
- Operating Temperature: -20°C~40°C
- Net Weight: 0.45Kg without packing

## Product Specifications

- Opening Size: 124mm\*38mm
- Ceiling Thickness: 1-25mm
- Cutoff Angle: 35°
- LED Type: High Power LED
- Source Lm: 2700K 900lm; 3000K 1000lm; 4000K 1100lm
- LED Lifetime: >50000h-L70 /B10-Ta25°C(LM-80/TM-21)
- CCT/CRI: 2700K/3000K/4000K, Ra90
- SDCM: 3 SDCM
- Input: 220V~240V AC / 50Hz
- Dimming: No dimming/0-10V(A match test is required)

## Order Model

Model	LED Power	Driver	CCT	Beam	Reflector	Finish
ALWAR5	LD08 8W	E On-Off	27 2700K	W washer	B black	BK Black
Linear Wallwasher		D 0-10V	30 3000K		W white	WT White
A series			40 4000K			
Recessed mounting						

Example: ALWAR5-LD08E27WBBK; ALWAR5-LD08E27WWWT

## Accessories

/

# LIGNE PRO- MODEL: ALWAR5-LD8

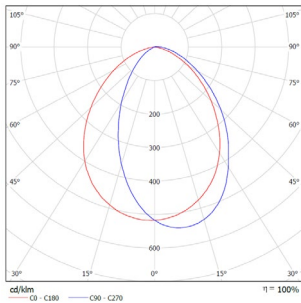
Linear Luminaires

WAC ARCHITECTURAL

PROJECT:

TYPE:

## LIGHT DISTRIBUTION@3000K LUMINAIRE DATA



<b>MODEL:</b>	ALWAR5-LD08E30WBBK	ALWAR5-LD08E30WWK
<b>BEAM ANGLE:</b>	/	/
<b>POWER:</b>	10W	10W
<b>LUMENS:</b>	414 lm	414 lm
<b>CBCP:</b>	/	/
<b>EFFICACY:</b>	40 lm/W	40 lm/W

# LIGNE PRO- MODEL: ALWAR5-LD16

## Linear Luminaires

WAC ARCHITECTURAL

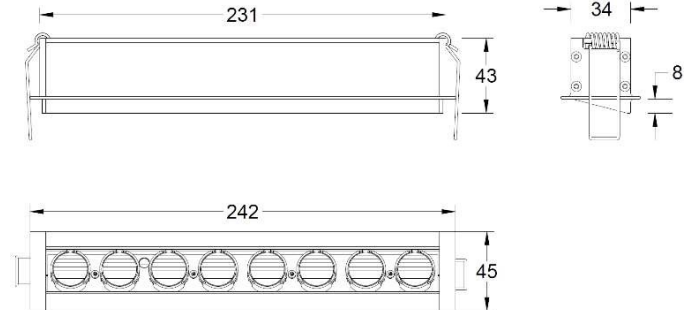
PROJECT:

TYPE:

### Product Image



### Line Drawing



### Product Description

The embedded linear wall washing lamp uses asymmetric light distribution to illuminate the wall evenly. There are 3 lengths and power, black and white color options, suitable for commercial public areas and display environment of the background wall lighting.

### Product Features

- Body Material: Aluminum alloy extrusion lamp body
- Optical System: Lens
- Finish: Electrostatic Powder coating
- Projection Direction: /
- Accessories/Brackets: /
- Certification: CCC
- IP Rating: IP20
- Insulation Level: Class II
- Operating Temperature: -20°C~40°C
- Net Weight: 0.6Kg without packing

### Product Specifications

- Opening Size: 236mm\*38mm
- Ceiling Thickness: 1-25mm
- Cutoff Angle: 35°
- LED Type: High Power LED
- Source Lm: 2700K 1800lm; 3000K 2000lm; 4000K 2200lm
- LED Lifetime: >50000h-L70 /B10-Ta25°C(LM-80/TM-21)
- CCT/CRI: 2700K/3000K/4000K, Ra90
- SDCM: 3 SDCM
- Input: 220V~240V AC / 50Hz
- Dimming: No dimming/0-10V(A match test is required)

### Order Model

Model	LED Power	Driver	CCT	Beam	Reflector	Finish
ALWAR5	LD16 16W	E On-Off	27 2700K	W washer	B black	BK Black
Linear Wallwasher		D 0-10V	30 3000K		W white	WT White
A series			40 4000K			
Recessed mounting						

Example: ALWAR5-LD16E27WBBK; ALWAR5-LD16E27WWWT

### Accessories

/

# LIGNE PRO- MODEL: ALWAR5-LD16

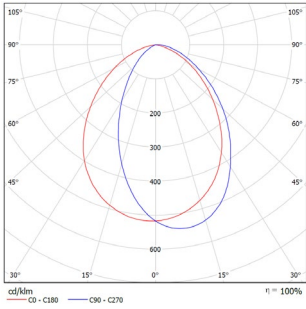
Linear Luminaires

WAC ARCHITECTURAL

PROJECT:

TYPE:

## LIGHT DISTRIBUTION@3000K LUMINAIRE DATA



<b>MODEL:</b>	ALWAR5-LD16E30WBBK	ALWAR5-LD16E30WWK
<b>BEAM ANGLE:</b>	/	/
<b>POWER:</b>	18W	18W
<b>LUMENS:</b>	866 lm	866 lm
<b>CBCP:</b>	/	/
<b>EFFICACY:</b>	46 lm/W	46 lm/W

# LIGNE PRO- MODEL: ALWAR5-LD32

## Linear Luminaires

WAC ARCHITECTURAL

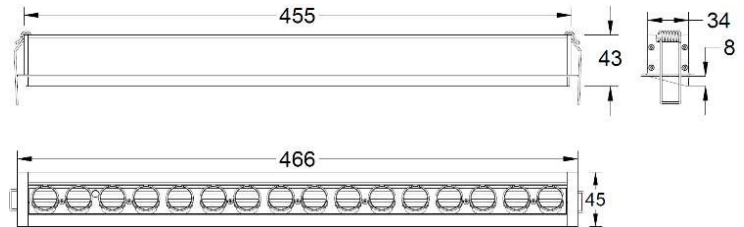
PROJECT:

TYPE:

### Product Image



### Line Drawing



### Product Description

The embedded linear wall washing lamp uses asymmetric light distribution to illuminate the wall evenly. There are 3 lengths and power, black and white color options, suitable for commercial public areas and display environment of the background wall lighting.

### Product Features

- Body Material: Aluminum alloy extrusion lamp body
- Optical System: Lens
- Finish: Electrostatic Powder coating
- Projection Direction: /
- Accessories/Brackets: /
- Certification: CCC
- IP Rating: IP20
- Insulation Level: Class II
- Operating Temperature: -20°C~40°C
- Net Weight: 1.1Kg without packing

### Product Specifications

- Opening Size: 460mm\*38mm
- Ceiling Thickness: 1-25mm
- Cutoff Angle: 35°
- LED Type: High Power LED
- Source Lm: 2700K 350000lm; 3000K 3800lm; 4000K 4000lm
- LED Lifetime: >50000h-L70 /B10-Ta25°C(LM-80/TM-21)
- CCT/CRI: 2700K/3000K/4000K, Ra90
- SDCM: 3 SDCM
- Input: 220V~240V AC / 50Hz
- Dimming: No dimming/0-10V(A match test is required)

### Order Model

Model	LED Power	Driver	CCT	Beam	Reflector	Finish
ALWAR5	LD32 32W	E On-Off	27 2700K	W washer	B black	BK Black
Linear Wallwasher		D 0-10V	30 3000K		W white	WT White
A series			40 4000K			
Recessed mounting						

Example: ALWAR5-LD32E27WBBK; ALWAR5-LD32E27WWWT

### Accessories

/

# LIGNE PRO- MODEL: ALWAR5-LD32

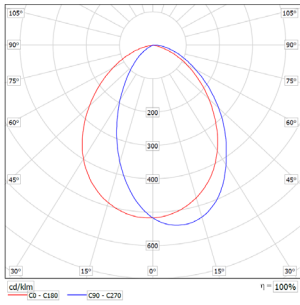
Linear Luminaires

WAC ARCHITECTURAL

PROJECT:

TYPE:

## LIGHT DISTRIBUTION@3000K LUMINAIRE DATA



<b>MODEL:</b>	ALWAR5-LD32E30WBBK	ALWAR5-LD32E30WWK
<b>BEAM ANGLE:</b>	/	/
<b>POWER:</b>	35W	35W
<b>LUMENS:</b>	1975 lm	1975 lm
<b>CBCP:</b>	/	/
<b>EFFICACY:</b>	55 lm/W	55 lm/W