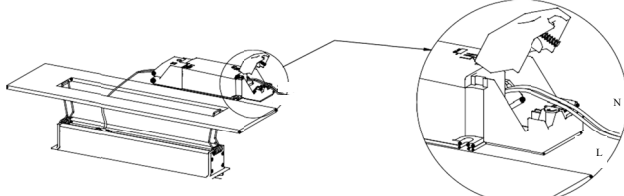


Installation Precautions:

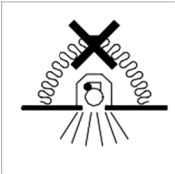
1. Please read through the Instructions before installation.
2. The product should be installed by a professional electrician.
3. Make sure the power supply is cut off before installation and maintenance, to avoid the risk of electric shock.
4. The light can be recessed on the ceiling, where sufficient space must be reserved for installation. Do not cover the light with any thermal insulation or consumable articles to avoid fire hazards.
5. In case of cracking of glass, please replace it immediately.
6. Do not install the light on an unstable or unsolid skylight, to avoid falling off.
7. Please keep this Instruction properly for future reference.
8. The LED source in the light should be replaced by the manufacturer or its service agent or similarly qualified personnel.

Light Installation and Wiring:

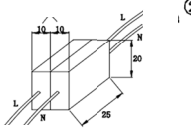
MODEL	CELLING SIZE	MIN SPACING(h)	CELLING THICKNESS(D)
ALWAR5-LD08*	124×38mm	90mm	1~25mm
ALWAR5-LD16*	236×38mm	90mm	1~25mm
ALWAR5-LD32*	460×38mm	90mm	1~25mm



①

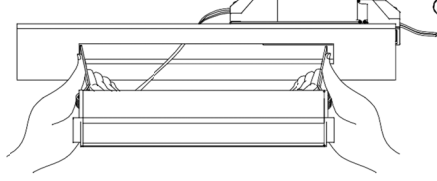


Can not be covered by thermal insulation liners or similar materials

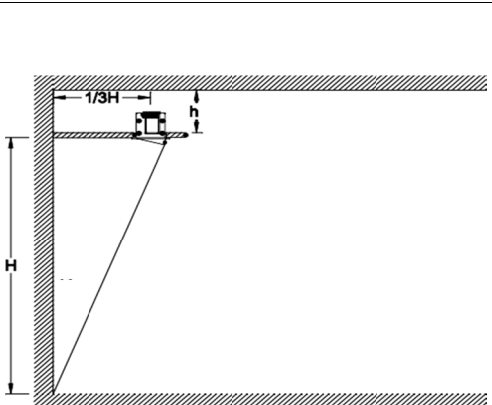


②

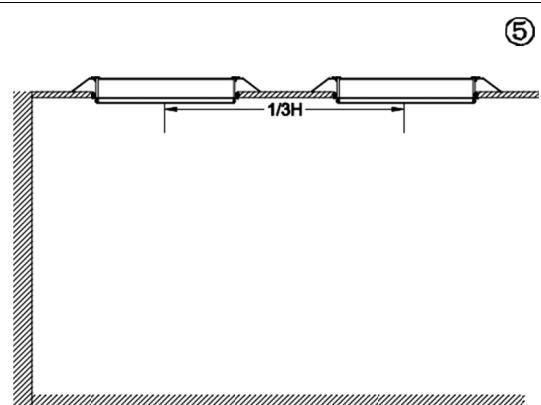
Wire connect



③



④



⑤

* If the driver of the light comes with lead wires, and the leads need to be connected with an independent terminal block (refer to Figure 3 for wiring), the size of the terminal block for each line should not be less than 10x20x25mm.