

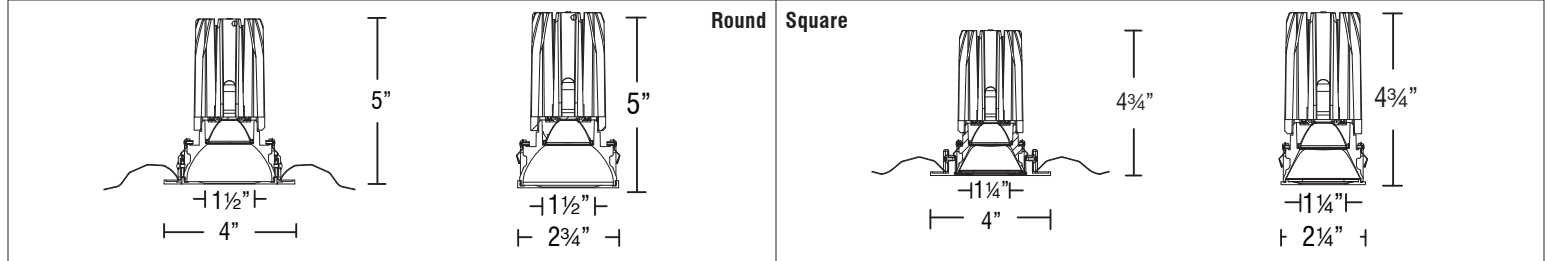
## FQ Tunable White 2" Pinhole

R2FRPT | R2FRPL | R2FSPT | R2FSPL

Fixture Type: \_\_\_\_\_  
 Project: \_\_\_\_\_  
 Catalog#: \_\_\_\_\_  
 Location: \_\_\_\_\_



### LINE DRAWING



### PRODUCT DESCRIPTION

FQ (Function + Quality) Experience simplicity and versatility with FQ 2" recessed luminaires. The fixtures merge modern design with world-class performance to achieve the ultimate in function and flexibility. Enjoy the benefits of two fixtures in one with Tunable White 1800-4000K and Dim-to-Warm 3000K-1800K features built into each luminaire, allowing you to customize the best light to illuminate dining areas, great rooms, primary bedrooms, kitchens, and baths on the fly. Deep regressed light sources deliver a glare-free, quiet ceiling aesthetic for a clean architectural look while providing a robust output from a diminutive source.

### SPECIFICATIONS

<b>Construction:</b>	Durable die-cast self flanged aluminum construction
<b>Mounting:</b>	Heavy gauge retention clips support trim firmly Ceiling cut out (Round): Trim $\varnothing$ 3 1/2" $\bigcirc$ Trimless $\varnothing$ 3 1/2" $\bigcirc$ Ceiling cut out (Square): Trim 3 1/2" x 3 1/2" $\square$ Trimless 3 1/2" x 3 1/2" $\square$ Accommodates 1/2" - 1" ceiling thickness
<b>Light Source:</b>	High output 3-step Mac Adam Ellipse COB Rated life of 50,000 hours at L70
<b>Input:</b>	Universal 120-277V AC, 50/60 Hz
<b>Dimming:</b>	2CH 0-10V, DMX512-A: 100-0.1%
<b>Maximum Delivered Intensity:</b>	Up to 2,360 cd (Round Narrow Flood 30°, 18W, 4000K, CRI 90)
<b>Maximum Delivered Output:</b>	Up to 556 lm (Square Narrow Flood 30°, 18W, 4000K, CRI 90)
<b>Operating Temperature:</b>	-4°F to 104°F (-20°C to 40°C)
<b>Standards:</b>	ETL & cETL Damp location listed, Title 24 JA8 Compliant
<b>Warranty:</b>	5 year WAC Lighting guaranteed warranty

### BEAM ANGLES



### FINISHES



Model	Beam	Lumens	CBCP	Color Temp	CRI
		Ref Output*	Ref Output*		
R2FRPT Round Trim	N 25°	Round 465	2145	TW 1800K-4000K	90
R2FRPL Round Trimless					
R2FSPT Square Trim					
R2FSPL Square Trimless					

Lumens and CBCP are reference values for a trim fixture with 2 housing set to 3000K Color Temperature. Refer to Multiplier Table in Performance Data to determine other outputs.

# FQ Tunable White

2" Pinhole

R2FRPT | R2FRPL | R2FSPT | R2FSPL

Fixture Type: \_\_\_\_\_

Project: \_\_\_\_\_

Catalog#: \_\_\_\_\_

Location: \_\_\_\_\_

## ORDERING INFORMATION

CONFIGURATION TABLE		
Model	Color Temperature	Reflector Finish
<b>R2FRPT</b>	<b>TW - 1800K-4000K</b>	<b>BK - BLACK</b>
<b>R2FRPL</b>		<b>DB - DARK BRONZE</b>
<b>R2FSPT</b>		<b>HZ - HAZE</b>
<b>R2FSPL</b>		<b>HZWT - HAZE/WHITE</b>
		<b>WT - WHITE</b>

### R2FRPT-TW-\_\_

Example: R2FRPT-TW-WT

### ORDERING NOTES

1. The "Haze/White" finish is only available on trimmed fixtures (R2FRPT, R2FSPT).
2. The "Haze" finish is only available on trimless fixtures (R2FRPL, R2FSPL).

## FQ Tunable White 2" Pinhole

R2FRPT | R2FRPL | R2FSPT | R2FSPL

Fixture Type: \_\_\_\_\_  
 Project: \_\_\_\_\_  
 Catalog#: \_\_\_\_\_  
 Location: \_\_\_\_\_

### ORDERING INFORMATION

HOUSINGS					
	Model	Control Options		Power	
New Construction IC Airtight - Round & Square Trim	<b>R2FBNT-TW</b>	<b>X</b>	<i>DMX512-A</i>	<b>1</b>	<i>14W IC</i>
		<b>Z</b>	<i>0-10V</i>	<b>2</b>	<i>18W IC</i>
New Construction IC Airtight - Round Trimless	<b>R2FRNL-TW</b>	<b>X</b>	<i>DMX512-A</i>	<b>1</b>	<i>14W IC</i>
		<b>Z</b>	<i>0-10V</i>	<b>2</b>	<i>18W IC</i>
New Construction IC Airtight - Square Trimless	<b>R2FSNL-TW</b>	<b>X</b>	<i>DMX512-A</i>	<b>1</b>	<i>14W IC</i>
		<b>Z</b>	<i>0-10V</i>	<b>2</b>	<i>18W IC</i>
Remodel Non-IC Round Trimless	<b>R2FRRL-TW</b>	<b>X</b>	<i>DMX512-A</i>	<b>1</b>	<i>14W Non-IC</i>
		<b>Z</b>	<i>0-10V</i>	<b>2</b>	<i>18W Non-IC</i>
Remodel Non-IC Square Trimless	<b>R2FSRL-TW</b>	<b>X</b>	<i>DMX512-A</i>	<b>1</b>	<i>14W Non-IC</i>
		<b>Z</b>	<i>0-10V</i>	<b>2</b>	<i>18W Non-IC</i>
Remodel IC Round & Square Trim	<b>R2FBR2T-TW</b>	<b>X</b>	<i>DMX512-A</i>	<b>1</b>	<i>14W IC</i>
		<b>Z</b>	<i>0-10V</i>		
Remodel Non-IC Round & Square Trim	<b>R2FBRT-TW</b>	<b>X</b>	<i>DMX512-A</i>	<b>1</b>	<i>14W Non-IC</i>
		<b>Z</b>	<i>0-10V</i>	<b>2</b>	<i>18W Non-IC</i>

ACCESSORIES	
LENS-11-HCM	<i>Honeycomb Louver</i>
LENS-11P-CRL-BK	<i>Cross Louver</i>
LENS-11AMB	<i>Amber Lens</i>
LENS-11RED	<i>Red Lens</i>
LENS-11BLU	<i>Blue Lens</i>
LENS-11GRN	<i>Green Lens</i>
LENS-11SPR	<i>Spread Lens</i>
LENS-11BEL	<i>Beam Elongating Lens</i>

**R2F\_\_-TW\_-**  
 Example: R2FBNT-TWX-2

Millwork Housings		Size	Control Options	Power	
New Construction Round	<b>R2FRNM</b>	<b>A</b> 0.8"	<b>TWX</b> <i>DMX512-A</i>	<b>1</b>	<i>15W IC</i>
		<b>B</b> 1.5"	<b>TWZ</b> <i>0-10V</i>	<b>2</b>	<i>21W IC</i>
New Construction Square	<b>R2FSNM</b>	<b>A</b> 0.8"	<b>TWX</b> <i>DMX512-A</i>	<b>1</b>	<i>15W IC</i>
		<b>B</b> 1.5"	<b>TWZ</b> <i>0-10V</i>	<b>2</b>	<i>21W IC</i>

**R2F\_\_-TW\_-**  
 Example: R2FRNM-A-TWZ-2

# FQ Tunable White

## 2" Pinhole

R2FRPT | R2FRPL | R2FSPT | R2FSPL

Fixture Type: \_\_\_\_\_  
 Project: \_\_\_\_\_  
 Catalog#: \_\_\_\_\_  
 Location: \_\_\_\_\_

### FEATURES

<p><b>Optics:</b></p> <ul style="list-style-type: none"> <li>• High lumen output across the full Tunable White CCT range of 1800K - 4000K</li> <li>• Powerful glare control due to the fixtures 30° shielding angle, 35° vertical tilting, and 360° horizontal rotation</li> </ul>	<p><b>Construction:</b></p> <ul style="list-style-type: none"> <li>• Two piece die-cast aluminum constructed body and trim</li> </ul>
<p><b>LED:</b></p> <ul style="list-style-type: none"> <li>• High output COB LED with a 3-step Mac Adam ellipse</li> <li>• Rated operational life of 50,000 hours at L70 (LED maintains 70% of its initial delivered lumens when brand new for 50,000 hours of use.)</li> </ul>	<p><b>Trim and Reflector:</b></p> <ul style="list-style-type: none"> <li>• Available with a Narrow Flood reflector with a beam angle of 25°</li> </ul>
<p><b>Electrical:</b></p> <ul style="list-style-type: none"> <li>• Input power is universal 120-277VAC and 50/60 Hz</li> <li>• Available in 14W and 18W power levels</li> </ul>	<p><b>Installation:</b></p> <ul style="list-style-type: none"> <li>• Light engine is mounted onto the trim using springs that allow for easy replacement</li> <li>• Heavy gauge retention clips firmly support the trim within the housing</li> </ul>
<p><b>Dimming:</b></p> <ul style="list-style-type: none"> <li>• DMX512-A and 2 Channel 0-10V dimming are available</li> <li>• DMX512-A and 2 Channel 0-10V dimming are both capable of a range of 100 - 0.1%</li> </ul>	<p><b>Warranty:</b></p> <ul style="list-style-type: none"> <li>• WAC Architectural limited warranty up to 5 years</li> <li>• Full warranty found at: <a href="http://wacighting.com/warranty">wacighting.com/warranty</a></li> </ul>
<p><b>Notes:</b></p> <ul style="list-style-type: none"> <li>• The White, Black, and Dark Bronze finishes are all electrostatically powder coated</li> <li>• The Haze finish is enamel coated</li> </ul>	

# FQ Tunable White

2" Pinhole

R2FRPT | R2FRPL | R2FSPT | R2FSPL

Fixture Type: \_\_\_\_\_

Project: \_\_\_\_\_

Catalog#: \_\_\_\_\_

Location: \_\_\_\_\_

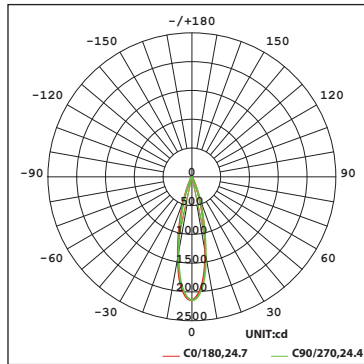
## PERFORMANCE DATA

### Polar Candela Distribution Charts

Samples shown with a 18W fixture set to 3000K and 90 CRI.

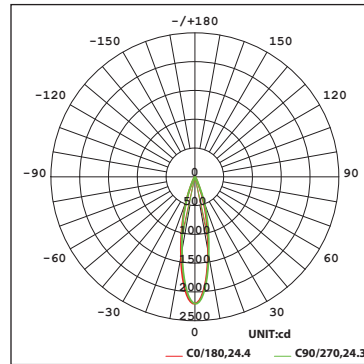
#### ROUND

Narrow Flood Beam: 25° Beam



#### SQUARE

Narrow Flood Beam: 25° Beam



## FQ Tunable White 2" Pinhole

R2FRPT | R2FRPL | R2FSPT | R2FSPL

Fixture Type: \_\_\_\_\_  
 Project: \_\_\_\_\_  
 Catalog#: \_\_\_\_\_  
 Location: \_\_\_\_\_

### PERFORMANCE DATA

#### Unified Glare Rating (UGR) Table

UGR values shown are calculated for a Round Trim fixture with a 18W Narrow Flood (25°) optic at 3000K and 90 CRI. General performance of other beam angles shown below.

ceiling/cavity	0.7	0.7	0.5	0.5	0.3	0.7	0.7	0.5	0.5	0.3	
walls	0.5	0.3	0.5	0.3	0.3	0.5	0.3	0.5	0.3	0.3	
working plane	0.2	0.2	0.2	0.2	0.2	0.2	0.2	0.2	0.2	0.2	
Room dimensions	Viewed crosswise					Viewed endwise					
x = 2H y = 2H	8.6	9.2	8.8	9.4	9.5	7.9	8.6	8.1	8.7	8.9	
3H	8.5	9.1	8.7	9.3	9.4	7.8	8.4	8.1	8.6	8.8	
4H	8.4	9.0	8.7	9.2	9.4	7.8	8.4	8.1	8.6	8.8	
6H	8.4	9.0	8.7	9.2	9.4	7.8	8.3	8.1	8.5	8.8	
8H	8.4	9.0	8.7	9.2	9.5	7.8	8.3	8.1	8.5	8.8	
12H	8.5	9.0	8.8	9.2	9.5	7.8	8.3	8.1	8.5	8.8	
4H	2H	8.4	8.9	8.6	9.1	9.3	7.7	8.3	8.0	8.5	8.7
3H	8.3	8.8	8.6	9.0	9.3	7.6	8.1	7.9	8.4	8.7	
4H	8.3	8.7	8.6	9.0	9.3	7.6	8.1	7.9	8.4	8.7	
6H	8.3	8.7	8.6	9.0	9.3	7.6	8.0	8.0	8.3	8.7	
8H	8.3	8.7	8.7	9.0	9.4	7.6	8.0	8.0	8.3	8.7	
12H	8.4	8.8	8.8	9.1	9.5	7.7	8.0	8.1	8.4	8.8	
8H	4H	8.1	8.5	8.5	8.9	9.2	7.5	7.9	7.9	8.2	8.6
6H	8.2	8.5	8.6	8.9	9.3	7.5	7.8	8.0	8.2	8.6	
8H	8.3	8.6	8.7	9.0	9.4	7.6	7.9	8.0	8.3	8.7	
12H	8.5	8.7	8.9	9.2	9.6	7.7	7.9	8.2	8.4	8.9	
12H	4H	8.1	8.4	8.5	8.8	9.2	7.5	7.8	7.9	8.2	8.6
6H	8.2	8.4	8.6	8.9	9.3	7.5	7.8	7.9	8.2	8.6	
8H	8.3	8.5	8.7	8.9	9.4	7.6	7.8	8.0	8.3	8.7	

Round Fixture	Angle	UGR Range
Narrow Flood	25°	≤10

Square Fixture	Angle	UGR Range
Narrow Flood	25°	≤13

#### Lumens and CBCP Multiplier Table

Use the below table to determine lumens and CBCP values for the combinations of power, color temperature, and CRI values.

Lumens & CBCP Multiplier		Color Temperature					
TWA (1800K - 4000K)	Housing Power Level	1800K	2200K	2700K	3000K	3500K	4000K
	1 (14W)	0.59	0.69	0.76	0.80	0.85	0.88
	2 (18W)	0.74	0.86	0.95	1.00	1.06	1.10

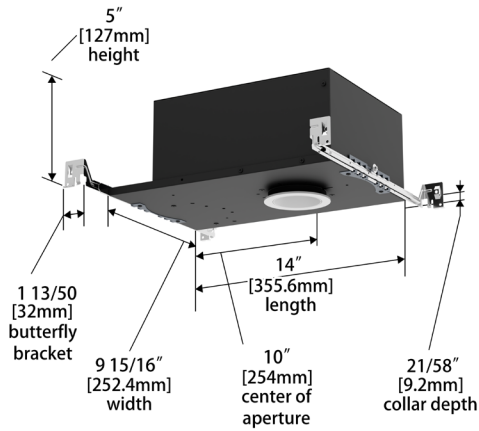
FQ Tunable White  
2" Pinhole

R2FRPT | R2FRPL | R2FSPT | R2FSPL

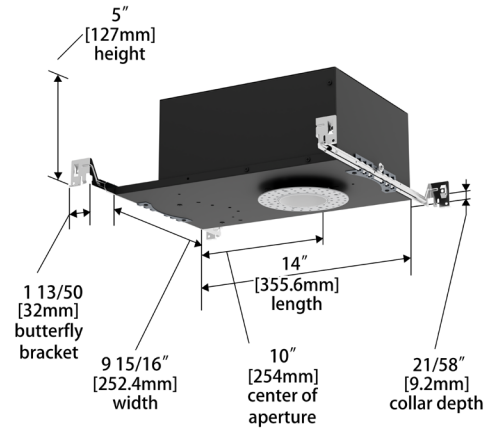
Fixture Type: \_\_\_\_\_  
 Project: \_\_\_\_\_  
 Catalog#: \_\_\_\_\_  
 Location: \_\_\_\_\_

**DIMENSIONAL DIAGRAMS**

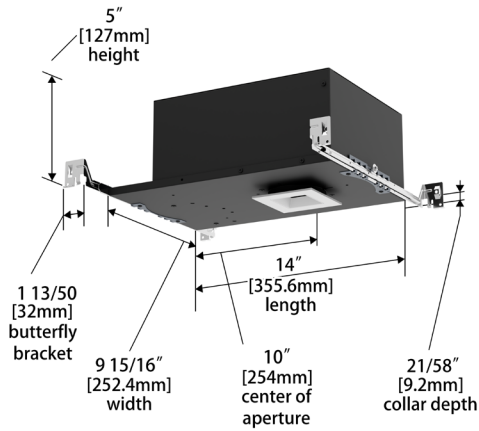
**New Construction - Round Trim**



**New Construction - Round Trimless**



**New Construction - Square Trim**



**New Construction - Square Trimless**

