

## Volta

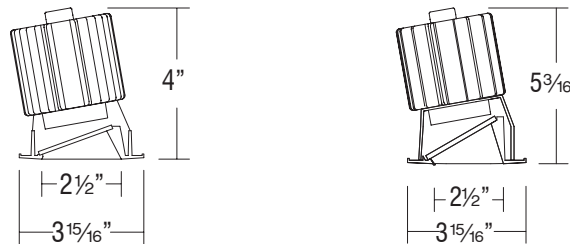
### Static White - 2" Wall Wash

R2RWT | R2SWT

Fixture Type: \_\_\_\_\_  
 Project: \_\_\_\_\_  
 Catalog#: \_\_\_\_\_  
 Location: \_\_\_\_\_



#### LINE DRAWING



#### PRODUCT DESCRIPTION

Volta LED downlight series represents an innovation in design and technology for architectural lighting. This high lumen and adaptable family of fixtures with a comprehensive set of round and square fittings, affords a sustainable solution for commercial, corporate, and upscale residential applications. Wall Wash Volta fixtures are equipped with an innovative bidirectional spread lens.

#### SPECIFICATIONS

|                                     |   |
|-------------------------------------|---|
| <b>Construction:</b>                | Durable die-cast self flanged aluminum construction   |
| <b>Mounting:</b>                    | Heavy gauge retention clips support trim firmly<br>Ceiling cut out (Round): Trim $\varnothing 3\frac{9}{16}"$<br>Trimless $\varnothing 4\frac{1}{4}"$<br>Ceiling cut out (Square): Trim $3\frac{9}{16}" \times 3\frac{9}{16}"$<br>Trimless $4\frac{1}{4}" \times 4\frac{1}{4}"$<br>Accommodates $\frac{1}{2}" - 1"$ ceiling thickness |
| <b>Light Source:</b>                | High output 3-step Mac Adam Ellipse COB<br>Rated life of 50,000 hours at L70  |
| <b>Input:</b>                       | Universal 120-277V AC, 50/60 Hz   |
| <b>Dimming:</b>                     | 0-10V: 100-0%<br>Electronic Low Voltage (ELV): 100-5%   |
| <b>Maximum Delivered Intensity:</b> | Up to 717 cd (Round Asymmetric, 4000K, CRI 85)  |
| <b>Maximum Delivered Output:</b>    | Up to 1,091 lm (Round Asymmetric, 4000K, CRI 85)  |
| <b>Standards:</b>                   | ETL & cETL Wet location listed  |
| <b>Warranty:</b>                    | 5 year WAC Lighting guaranteed warranty   |

#### BEAM ANGLES



#### FINISHES



| Model          | Beam            | Lumens Ref Output* | CBCP            | Color Temp  | CRI |
|----------------|-----------------|--------------------|-----------------|-------------|-----|
| R2RWT<br>R2SWT | Round<br>Square | A Asym             | Round<br>Square | 827 - 2700K | 85  |
|                |                 |                    |                 | 830 - 3000K | 85  |
|                |                 |                    |                 | 835 - 3500K | 85  |
|                |                 |                    |                 | 840 - 4000K | 85  |
|                |                 |                    |                 | 927 - 2700K | 90  |
|                |                 |                    |                 | 930 - 3000K | 90  |

Lumens and CBCP are reference values for 3000K Color Temperature and 85 CRI with 22 housing. Refer to Multiplier Table in Performance Data to determine other outputs.

## Volta

### Static White - 2" Wall Wash

R2RWT | R2SWT

Fixture Type: \_\_\_\_\_

Project: \_\_\_\_\_

Catalog#: \_\_\_\_\_

Location: \_\_\_\_\_

### ORDERING INFORMATION

| CONFIGURATION TABLE          |                 |                         |  |                   |
|------------------------------|-----------------|-------------------------|--|-------------------|
| Model & Power                | Beam            | Color Temperature & CRI | Reflector Finish   | Trim Finish       |
| <b>R2RWT</b><br><b>R2SWT</b> | <b>A - Asym</b> | <b>827</b> - 2700K - 85 | <b>BK</b> - BLACK<br><b>CB</b> - COPPER<br><b>HZ</b> - HAZE<br><b>WT</b> - WHITE | <b>WT</b> - WHITE |
|                              |                 | <b>830</b> - 3000K - 85 |  |                   |
|                              |                 | <b>835</b> - 3500K - 85 |  |                   |
|                              |                 | <b>840</b> - 4000K - 85 |  |                   |
|                              |                 | <b>927</b> - 2700K - 90 |  |                   |
|                              |                 | <b>930</b> - 3000K - 90 |  |                   |

**R2RWT-\_\_\_\_-\_\_** Example: R2RWT-N840-WT

| HOUSINGS (Required)                            |   |                          |           |            |            |               |                                  |                           |
|--|---|--------------------------|-----------|------------|------------|---------------|----------------------------------|---------------------------|
| Model  | Trim  | Power                    | S         | N,F,W      | Rating     | Driver        | Emergency Backup                 |                           |
| New Construction<br>Airtight                   | <b>R2RN</b> (Round)                         | <b>T</b> <i>Trim</i>     | <b>15</b> | <i>10W</i> | <i>15W</i> | <i>IC</i>     | <b>DEFAULT</b> <i>ELV, 0-10V</i> | <b>EM</b> <i>Optional</i> |
|  | <b>R2SN</b> (Square)                        | <b>L</b> <i>Trimless</i> | <b>22</b> | <i>15W</i> | <i>22W</i> | <i>IC</i>     |                                  |                           |
| New Construction<br>Airtight<br>Chicago Plenum | <b>R2RC</b> (Round)                         | <b>T</b> <i>Trim</i>     | <b>15</b> | <i>10W</i> | <i>15W</i> | <i>IC</i>     | <b>DEFAULT</b> <i>ELV, 0-10V</i> | <b>EM</b> <i>Optional</i> |
|  | <b>R2SC</b> (Square)                        | <b>L</b> <i>Trimless</i> | <b>22</b> | <i>15W</i> | <i>22W</i> | <i>IC</i>     |                                  |                           |
| Remodel<br>Round or Square                     | <b>R2BR</b>                                 | <b>T</b> <i>Trim</i>     | <b>15</b> | <i>10W</i> | <i>15W</i> | <i>Non-IC</i> | <b>DEFAULT</b> <i>ELV, 0-10V</i> | <b>N/A</b>                |
|  |   |                          | <b>22</b> | <i>15W</i> | <i>22W</i> | <i>Non-IC</i> |                                  |                           |
| Remodel  | <b>R2RR</b> (Round)<br><b>R2SR</b> (Square) | <b>L</b> <i>Trimless</i> | <b>15</b> | <i>15W</i> | <i>15W</i> | <i>Non-IC</i> | <b>DEFAULT</b> <i>ELV, 0-10V</i> | <b>N/A</b>                |
|  |   |                          | <b>22</b> | <i>22W</i> | <i>22W</i> | <i>Non-IC</i> |                                  |                           |

#### CEILING ADAPTERS

R2R-ADP1 *Round - ½" to 1" ceiling thickness*

R2S-ADP1 *Square - ½" to 1" ceiling thickness*

#### ORDERING NOTES

- The "White" trim finish is only available with the reflector finishes "Black" and "Haze".
- The "A - Asym" beam angle is available in 15W and 22W.

# Volta

## Static White - 2" Wall Wash

R2RWT | R2SWT

Fixture Type: \_\_\_\_\_

Project: \_\_\_\_\_

Catalog#: \_\_\_\_\_

Location: \_\_\_\_\_

### FEATURES

|   |  |
|---|--|
| <p><b>Optics:</b></p> <ul style="list-style-type: none"> <li>• 2" lens regress for superior glare control</li> <li>• Field selectable light engine height for cut-off angle adjustment (30°-34°) and accessory use</li> </ul>   | <p><b>Construction:</b></p> <ul style="list-style-type: none"> <li>• Durable die-cast self flanged aluminum construction</li> <li>• Heavy gauge retention clips support trim firmly</li> </ul>   |
| <p><b>LED:</b></p> <ul style="list-style-type: none"> <li>• High output COB LED with a 3-step Mac Adam ellipse</li> <li>• Rated operational life of 50,000 hours at L70 (LED maintains 70% of its initial delivered lumens when brand new for 50,000 hours of use.)</li> </ul>  | <p><b>Trim and Reflector:</b></p> <ul style="list-style-type: none"> <li>• Integral patterned tempered trim lens included standard with every fixture</li> <li>• Dual finished fixtures are a single piece with no physical seams</li> </ul>                           |
| <p><b>Electrical:</b></p> <ul style="list-style-type: none"> <li>• Volta is compatible with 120-277 VAC, 50/60 Hz</li> <li>• Housings are available in 10W and 15W if using a Spot Beam. If using a Narrow, Flood, or Wide beam, the housings are available in 15W and 22W.</li> </ul>  | <p><b>Installation:</b></p> <ul style="list-style-type: none"> <li>• Requires housing for installation</li> <li>• New Construction housings for Volta 2" Static White are IC rated.</li> <li>• Remodel housings for Volta 2" Static White are non-IC rated.</li> </ul> |
| <p><b>Dimming:</b></p> <ul style="list-style-type: none"> <li>• Electronic Low Voltage (ELV) dimming is capable of a 100 - 5% range</li> <li>• 0-10V dimming is capable of a 100 - 0% range</li> </ul>  | <p><b>Warranty:</b></p> <ul style="list-style-type: none"> <li>• WAC Architectural limited warranty up to 5 years</li> <li>• Full warranty found at: <a href="http://wacighting.com/warranty">wacighting.com/warranty</a></li> </ul>                                   |
| <p><b>Notes:</b></p> <ul style="list-style-type: none"> <li>• Trim and trimless fixtures of the same shape (Round/Square) have the same performance. Minor variations occur due to fixture shape.</li> <li>• The White and Black finishes are powder coated while the Haze is enamel coated and the Copper Bronze is plated and brushed.</li> <li>• The Volta product family is compatible with a wide range of accessories.</li> </ul> |  |

# Volta

## Static White - 2" Wall Wash

R2RWT | R2SWT

Fixture Type: \_\_\_\_\_

Project: \_\_\_\_\_

Catalog#: \_\_\_\_\_

Location: \_\_\_\_\_

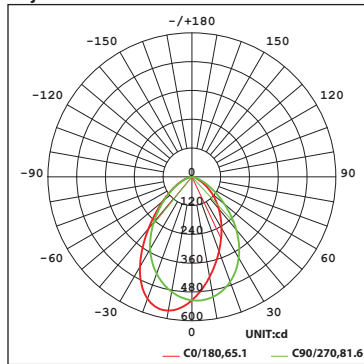
### PERFORMANCE DATA

#### Polar Candela Distribution Charts

Samples shown with a 22W fixture set to 3000K and 90 CRI.

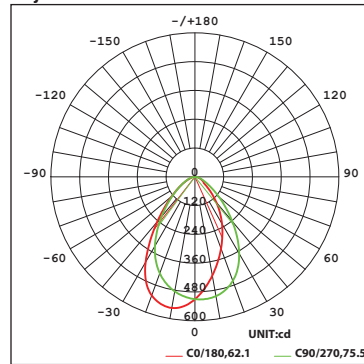
#### ROUND

Asymmetric Beam



#### SQUARE

Asymmetric Beam



## Volta

### Static White - 2" Wall Wash

R2RWT | R2SWT

Fixture Type: \_\_\_\_\_

Project: \_\_\_\_\_

Catalog#: \_\_\_\_\_

Location: \_\_\_\_\_

## PERFORMANCE DATA

### Unified Glare Rating (UGR) Table

UGR values shown are calculated for a Round Trim fixture with a 22W Asymmetric Beam (Asym) optic at 3000K and 90 CRI. General performance of other beam angles shown below.

| ceiling/cavity  | 0.7              | 0.7  | 0.5  | 0.5  | 0.3  | 0.7            | 0.7  | 0.5  | 0.5  | 0.3  |      |
|-----------------|------------------|------|------|------|------|----------------|------|------|------|------|------|
| walls           | 0.5              | 0.3  | 0.5  | 0.3  | 0.3  | 0.5            | 0.3  | 0.5  | 0.3  | 0.3  |      |
| working plane   | 0.2              | 0.2  | 0.2  | 0.2  | 0.2  | 0.2            | 0.2  | 0.2  | 0.2  | 0.2  |      |
| Room dimensions | Viewed crosswise |      |      |      |      | Viewed endwise |      |      |      |      |      |
| x = 2H y = 2H   | 19.5             | 20.8 | 19.7 | 20.9 | 21.1 | 19.3           | 20.6 | 19.6 | 20.8 | 21.0 |      |
| 3H              | 19.9             | 21.1 | 20.2 | 21.3 | 21.6 | 19.7           | 20.9 | 20.0 | 21.1 | 21.4 |      |
| 4H              | 20.0             | 21.1 | 20.3 | 21.4 | 21.6 | 19.8           | 20.9 | 20.1 | 21.1 | 21.4 |      |
| 6H              | 20.0             | 21.1 | 20.3 | 21.3 | 21.6 | 19.8           | 20.8 | 20.1 | 21.1 | 21.3 |      |
| 8H              | 20.0             | 21.0 | 20.3 | 21.2 | 21.5 | 19.7           | 20.7 | 20.1 | 21.0 | 21.3 |      |
| 12H             | 19.9             | 20.9 | 20.3 | 21.2 | 21.5 | 19.7           | 20.7 | 20.0 | 20.9 | 21.2 |      |
| 4H              | 2H               | 19.7 | 20.8 | 20.0 | 21.0 | 21.3           | 19.6 | 20.7 | 19.9 | 20.9 | 21.1 |
| 3H              | 20.3             | 21.2 | 20.6 | 21.5 | 21.8 | 20.1           | 21.0 | 20.4 | 21.3 | 21.6 |      |
| 4H              | 20.4             | 21.3 | 20.8 | 21.6 | 21.9 | 20.2           | 21.0 | 20.5 | 21.4 | 21.7 |      |
| 6H              | 20.4             | 21.2 | 20.8 | 21.5 | 21.9 | 20.2           | 20.9 | 20.6 | 21.3 | 21.7 |      |
| 8H              | 20.4             | 21.1 | 20.8 | 21.5 | 21.8 | 20.2           | 20.9 | 20.6 | 21.2 | 21.6 |      |
| 12H             | 20.3             | 21.0 | 20.8 | 21.4 | 21.8 | 20.1           | 20.8 | 20.5 | 21.2 | 21.6 |      |
| 8H              | 4H               | 20.4 | 21.1 | 20.8 | 21.5 | 21.8           | 20.2 | 20.9 | 20.6 | 21.2 | 21.6 |
| 6H              | 20.4             | 21.0 | 20.8 | 21.4 | 21.8 | 20.2           | 20.8 | 20.6 | 21.2 | 21.6 |      |
| 8H              | 20.4             | 20.9 | 20.8 | 21.3 | 21.8 | 20.2           | 20.7 | 20.6 | 21.1 | 21.6 |      |
| 12H             | 20.4             | 20.8 | 20.8 | 21.2 | 21.7 | 20.2           | 20.6 | 20.6 | 21.0 | 21.5 |      |
| 12H             | 4H               | 20.3 | 21.0 | 20.8 | 21.4 | 21.8           | 20.1 | 20.8 | 20.5 | 21.1 | 21.5 |
| 6H              | 20.4             | 20.9 | 20.8 | 21.3 | 21.8 | 20.2           | 20.7 | 20.6 | 21.1 | 21.5 |      |
| 8H              | 20.4             | 20.8 | 20.8 | 21.2 | 21.7 | 20.2           | 20.6 | 20.6 | 21.0 | 21.5 |      |

| Round Fixture | Angle | UGR Range |
|---------------|-------|-----------|
| Asym          | -     | ≤22       |

| Square Fixture | Angle | UGR Range |
|----------------|-------|-----------|
| Asym           | -     | ≤22       |

### Lumens and CBCP Multiplier Table

Use the below table to determine lumens and CBCP values for the combinations of power, color temperature, and CRI values.

| Multiplier | TRIM |      |      |      |      |      |      |
|------------|------|------|------|------|------|------|------|
|            | 827  | 927  | 830  | 930  | 835  | 840  |      |
| HOUSING    | 22   | 0.95 | 0.81 | 1.00 | 0.86 | 1.05 | 1.07 |
|            | 15   | 0.66 | 0.56 | 0.69 | 0.59 | 0.72 | 0.74 |

## Volta

### Static White - 2" Wall Wash

R2RWT | R2SWT

Fixture Type: \_\_\_\_\_

Project: \_\_\_\_\_

Catalog#: \_\_\_\_\_

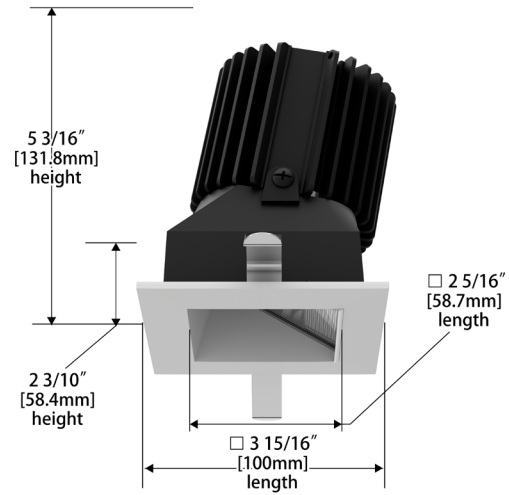
Location: \_\_\_\_\_

#### DIMENSIONAL DIAGRAMS

##### Round Trim (R2RWT)



##### Square Trim (R2SWT)



# Volta

## Static White - 2" Wall Wash

R2RWT | R2SWT

Fixture Type: \_\_\_\_\_

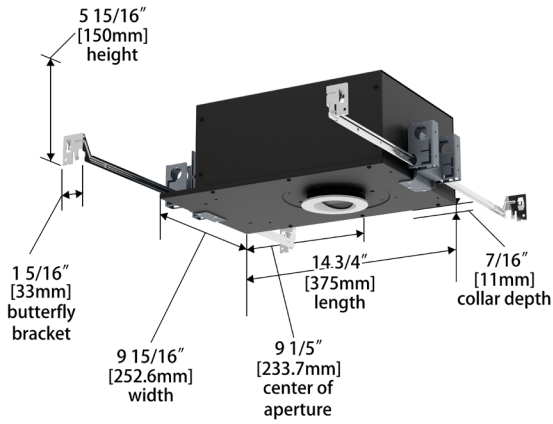
Project: \_\_\_\_\_

Catalog#: \_\_\_\_\_

Location: \_\_\_\_\_

### DIMENSIONAL DIAGRAMS

#### New Construction - Round Trim



#### New Construction - Square Trim

