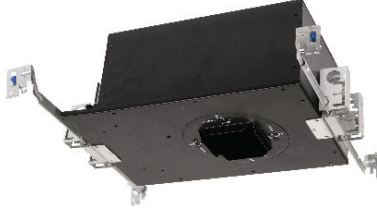
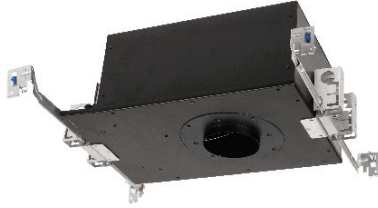


Volta

Static White - 2" Trim Housings

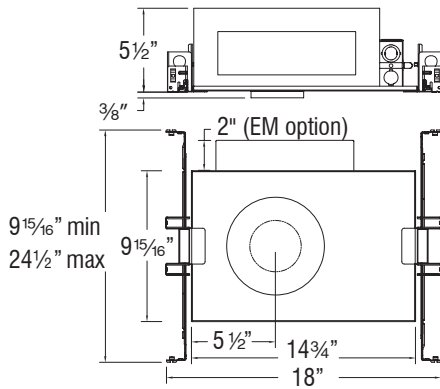
R2RNT | R2SNT | R2RCT | R2SCT | R2BRT

Fixture Type: _____
 Project: _____
 Catalog#: _____
 Location: _____

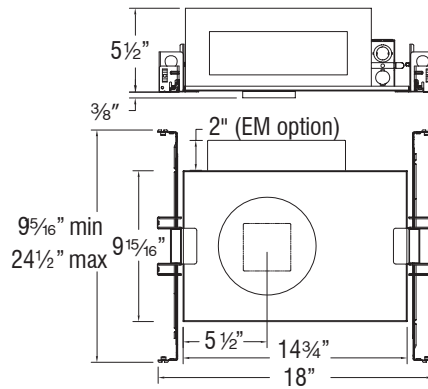


LINE DRAWING

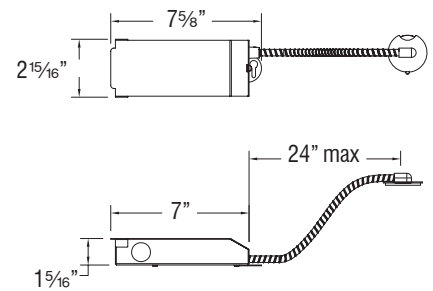
Round



Square



Remodel



PRODUCT DESCRIPTION

Volta LED downlight series represents an innovation in design and technology for architectural lighting. This high lumen and adaptable family of fixtures with a comprehensive set of round and square fittings, affords a sustainable solution for commercial, corporate, and upscale residential applications.

SPECIFICATIONS

- Mounting:** Universal mounting brackets and hanger bars
 Ceiling cut out (Round): Trim $\text{Ø } 3\frac{5}{8}"$
 Ceiling cut out (Square): Trim $3\frac{5}{8}" \times 3\frac{5}{8}"$
 Accommodates $\frac{1}{2}" - 1\frac{1}{2}"$ ceiling thickness
- Input:** Universal 120-277V AC, 50/60 Hz
- Dimming:** 0-10V: 100-0%
 Electronic Low Voltage (ELV): 100-5%
- Emergency:** EM fixtures provided with integral Emergency battery back up with 24" lead wire remote test switch. Provides at least 90 minutes of 8W illumination during emergency operation
- Standards:** ETL & cETL, Chicago Plenum, IC-rated, Airtight (see list)
- Warranty:** 5 year WAC Lighting guaranteed warranty

Volta

Static White - 2" Trim Housings

R2RNT | R2SNT | R2RCT | R2SCT | R2BRT

Fixture Type: _____
 Project: _____
 Catalog#: _____
 Location: _____

ORDERING INFORMATION

HOUSINGS (Required)								
	Model	Trim	Power	S	N,F,W	Rating	Driver	Emergency Backup
New Construction Airtight	R2RN (Round)	T Trim	15	10W	15W	IC	DEFAULT ELV, 0-10V	EM Optional
	R2SN (Square)		22	15W	22W	IC		
New Construction Airtight Chicago Plenum	R2RC (Round)	T Trim	15	10W	15W	IC	DEFAULT ELV, 0-10V	EM Optional
	R2SC (Square)		22	15W	22W	IC		
Remodel Round or Square	R2BR	T Trim	15	10W	15W	Non-IC	DEFAULT ELV, 0-10V	N/A
			22	15W	22W	Non-IC		

Field Replaceable Driver (New Construction Only)	
D-R2N3-15	Driver for 15W
D-R2N3-22	Driver for 22W

Wood and Metal Ceiling Adapters	
R2R-ADP1	Round - ½" to 1" ceiling thickness
R2R-ADP2	Round - 1" to 1½" ceiling thickness
R2S-ADP1	Square - ½" to 1" ceiling thickness
R2S-ADP2	Square - 1" to 1½" ceiling thickness

Volta

Static White - 2" Trim Housings

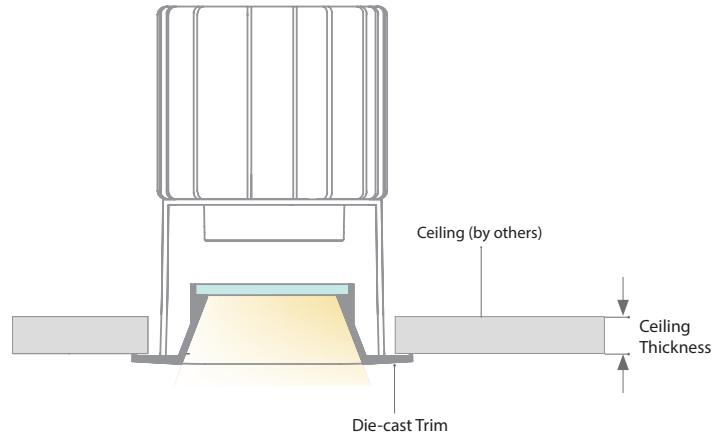
R2RNT | R2SNT | R2RCT | R2SCT | R2BRT

Fixture Type: _____
 Project: _____
 Catalog#: _____
 Location: _____

INSTALLATION

TRIMMED INSTALLATION

Trim Model	Trim Description	Ceiling Thickness		
		1/2"	1"	1 1/2"
R2RD2T R2SD2T	<i>Downlight</i>	Yes	Yes	Yes
R2RD1T R2SD1T	<i>Shallow Regressed Downlight</i>	Yes	Yes	Yes
R2RAT/ R2RPT R2SAT/ R2SPT	<i>Adjustable/ Pinhole</i>	Yes, to 45°	Yes, to 35°	Yes, to 20°
R2RWT R2SWT	<i>Wall Wash</i>	Yes	Yes	No



WOOD AND METAL CEILING INSTALLATION

Adapter Model	Trim Model	Trim Description	Ceiling Thickness		
			1/2"	1"	1 1/2"
R2R-ADP1 Round Up to 1"	R2RD2T R2RD1T	Downlight	Yes	Yes	N/A
	R2RWT	Wall Wash	Yes	Yes	N/A
	R2RAT R2RPT	Adjustable/Pinhole	Yes, to 45°	Yes, to 45°	N/A
R2R-ADP2 Round Up to 1 2"	R2RD2T R2RD1T	Downlight	Yes	Yes	Yes
	R2RWT	Wall Wash	No	No	No
	R2RAT R2RPT	Adjustable/Pinhole	Yes, to 30°	Yes, to 30°	Yes, to 30°
R2S-ADP1 Square Up to 1"	R2SD2T R2SD1T	Downlight	Yes	Yes	N/A
	R2SWT	Wall Wash	Yes	Yes	N/A
	R2SAT R2SPT	Adjustable/Pinhole	Yes, to 45°	Yes, to 45°	N/A
R2S-ADP2 Square Up to 1 2"	R2SD2T R2SD1T	Downlight	Yes	Yes	Yes
	R2SWT	Wall Wash	No	No	No
	R2SAT R2SPT	Adjustable/Pinhole	Yes, to 30°	Yes, to 30°	Yes, to 30°

